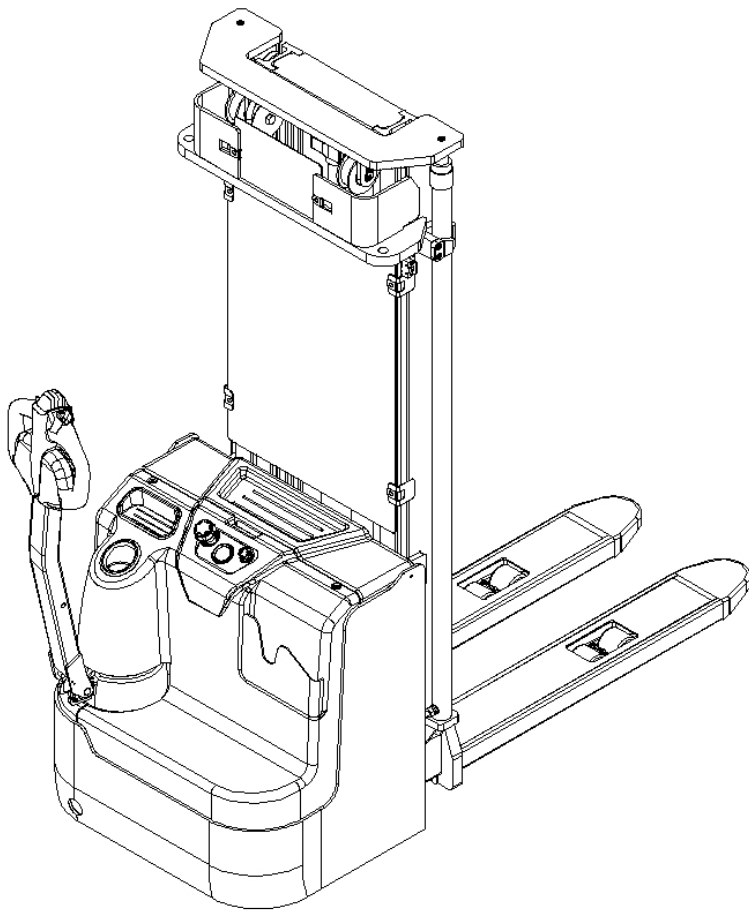


SPAREPARTS LIST

Electric Stacker PS 20L



Version 12/2018

From truck identification number:

PS 20L-BPT-006-EN

Catalogue

Fig.1 Label (For EU).....	1
Fig.2 Label (For US).....	2
Fig.3 Outline	3
Fig.4 Pallet	4
Fig.5 Fork assembly (straddle)	5
Fig.6 Truck assembly	6
Fig.7 Truck assembly (side pull battery)	8
Fig.8 Truck assembly (straddle)	10
Fig.9 Power supply.....	12
Fig.10 Instrument assembly	13
Fig.11 Battery cover assembly	15
Fig.12 Steering wheel assembly.....	16
Fig.13 Three-stage mast system (full free lift).....	17
Fig.14 Three-stage mast system (standard lift)	18
Fig.15 Two-stage mast system (full free lift)	19
Fig.16 Two-stage mast system (standard lift)	20
Fig.17 Three-stage mast chain system (full free lift)	21
Fig.18 Three-stage mast chain system (standard lift).....	23
Fig.19 Two-stage mast chain system (full free lift).....	24
Fig.20 Two-stage mast chain system (standard lift).....	26
Fig.21 Mast and other parts.....	27
Fig.22 Three-stage mast hydraulic system (full free lift)	28
Fig.23 Three-stage mast hydraulic system (standard lift)	30
Fig.24 Two-stage mast hydraulic system (full free lift)	32
Fig.25 Two-stage mast hydraulic system (standard lift).....	33
Fig.26 Three-stage mast outer cylinder assembly (full free lift)	36
Fig.27 Three-stage mast middle cylinder assembly (full free lift)	38
Fig.28 Three-stage mast outer cylinder assembly (standard lift)	40
Fig.29 Two-stage mast outer cylinder assembly (full free lift)	42
Fig.30 Two-stage mast middle cylinder assembly (full free lift).....	44
Fig.31 Two-stage mast outer cylinder assembly (standard lift)	46
Fig.32 Drive system assembly.....	48
Fig.33 1.7kw Drive wheel	49
Fig.34 Load wheel assembly.....	51

Fig.35 Handle assembly	53
Fig.36 Handle components.....	54
Fig.37 Hydraulic power unit (24V3.2KW4.0cc)	56
Fig.38 Main circuit harness.....	57
Fig.39 Electrical general part.....	58
Fig.40 Controller assembly.....	59
Fig.41 Load backrest.....	61
Fig.42 Load backrest (straddle).....	62
Easy worn parts list	63

Fig.1 Label (For EU)

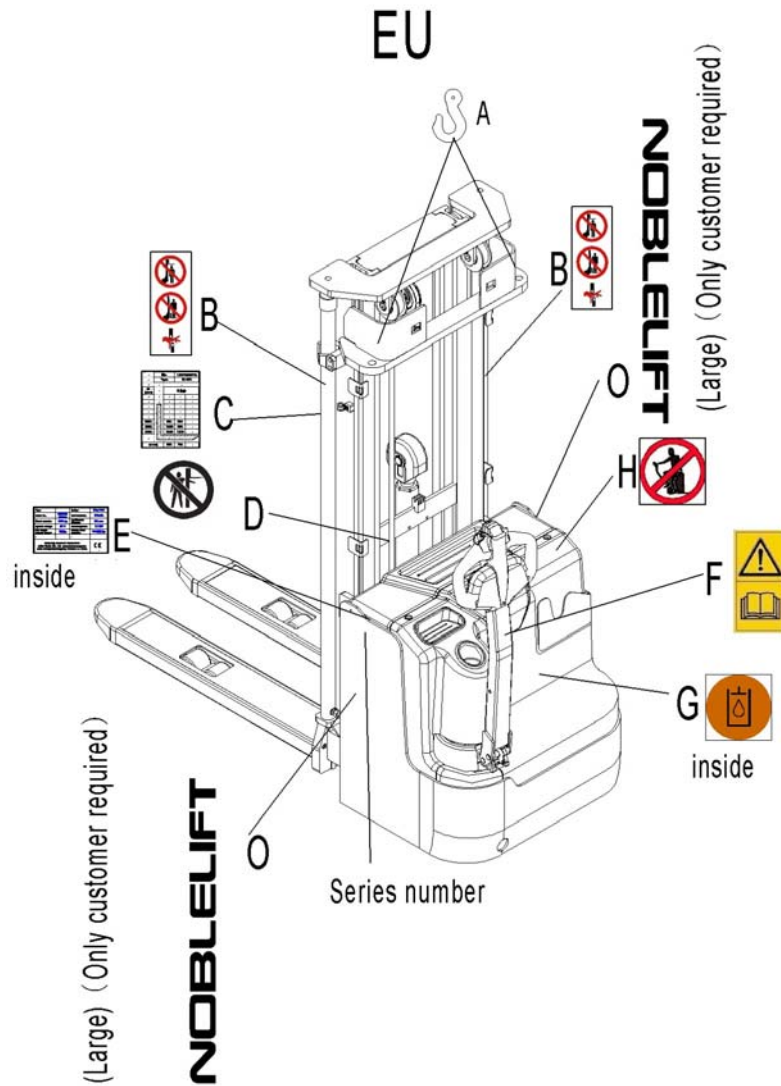


Fig.1 Label (For EU)

No.	Art No.	New Art No.	Description	Qty.	Note
A	9000005967	941200300001	Crane hook label	2	
B	9000003923	941200100004	Warning decal: Do not step under or on the forks	2	
C	9000016325	535047502000	Residual lift capacity sticker	1	
D	9000008561	941200100006	Never reach through	1	
E	9000016326	535047502001	CE label	1	
F	9000003570	941200300002	Sticker to read and follow these instructions	1	
G	9000008555	941200300003	Filling sticker	1	
H	9000003573	941200100003	'No passengers' decal	1	
O	9000008556	941200500001	Emblem mark	2	

Fig.2 Label (For US)

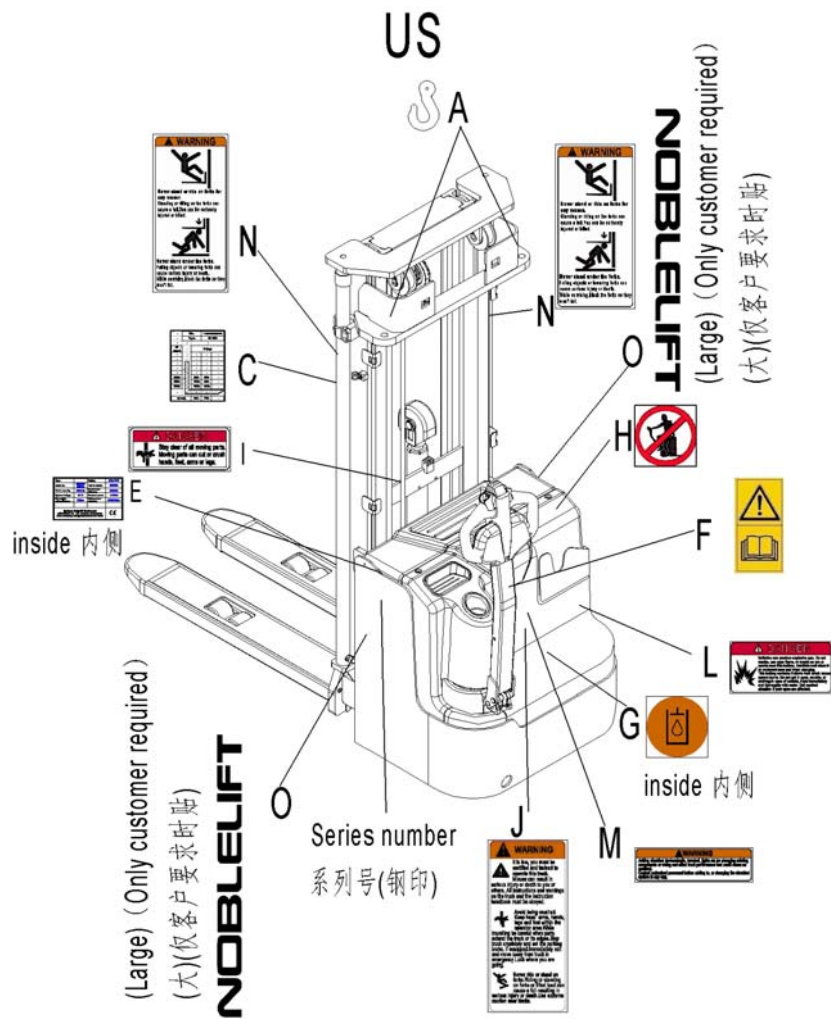


Fig.2 Label (For US)

No.	Art No.	New Art No.	Description	Qty.	Note
A	9000005967	941200300001	Crane hook label	2	
C	9000016325	535047502000	Residual lift capacity sticker	1	
E	9000016326	535047502001	CE label	1	
F	9000003570	941200300002	Sticker to read and follow these instructions	1	
G	9000008555	941200300003	Filling sticker	1	
I	9000005970	941200100014	Warning label	1	
J	9000003575	941200100009	Warning label	1	
K	9000003580	941200100011	Warning label	1	
L	9000003577	941200100013	Warning label	1	
M	9000003579	941200100010	Warning label	1	
N	9000005971	941200100016	Warning label	2	

Fig.3 Outline

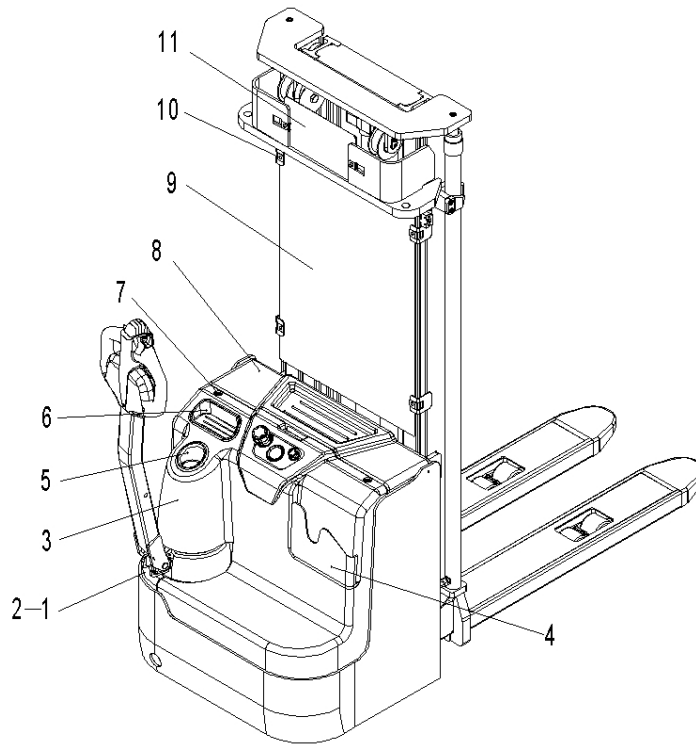


Fig.3 Outline

No.	Art No.	New Art No.	Description	Qty.	Note
1	9000015364	534721520019	Cover	1	
2	0000023093	910200800011	Lock screw	2	M6x10
3	9000015363	534721520018	Electrical box cover	1	
4	9000010660	534721520022	File box	1	
5	9000015365	534721520020	Cup base	1	
6	9000015366	534721520021	Storage box	1	
7	9000007790	941100100002	Screw	2	M10x55
8	9000015946	535021010001	Battery cover	1	
9	9000015801	535044020011	Protective plate	1	4600/3200
	9000015934	535045020026	Protective plate	1	4300
	9000015977	535044520004	Protective plate	1	4000
	9000015798	535044020010	Protective plate	1	3600
	9000015808	535044020012	Protective plate	1	2900
	9000015858	535043520005	Protective plate	1	2700
10	9000007782	940400300001	Spring buckle	6 or 8	
11	9000015913	535045020029	Upper protective plate	1	

Fig.4 Pallet

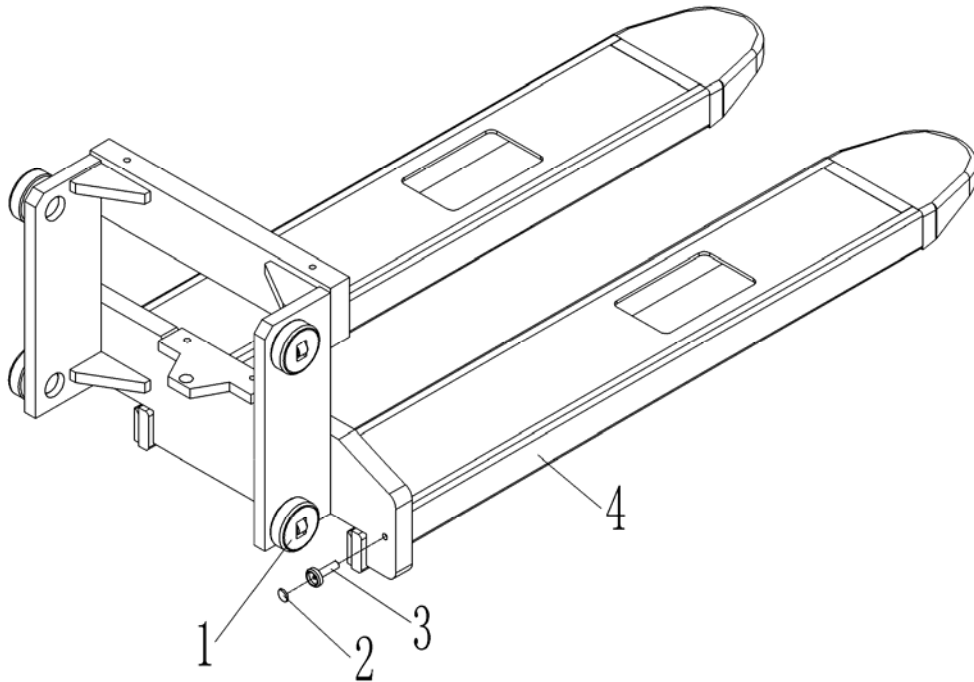


Fig.4 Pallet

No.	Art No.	New Art No.	Description	Qty.	Note
1		940200300022	Roller	1	
2	2000435002	940600100001	Magnet steel	1	
3	2260502001	940600200001	Magnet steel base	4	
4	9000015811	535038010000	Pallet (570×1150)	1	Two-stage mast
	9000015819	535038010001	Pallet (685×1150)	1	Two-stage mast
	9000015937	535038010002	Pallet (570×1150)	1	Three-stage mast
	9000015953	535038010003	Pallet (685×1150)	1	Three-stage mast

Fig.5 Fork assembly (straddle)

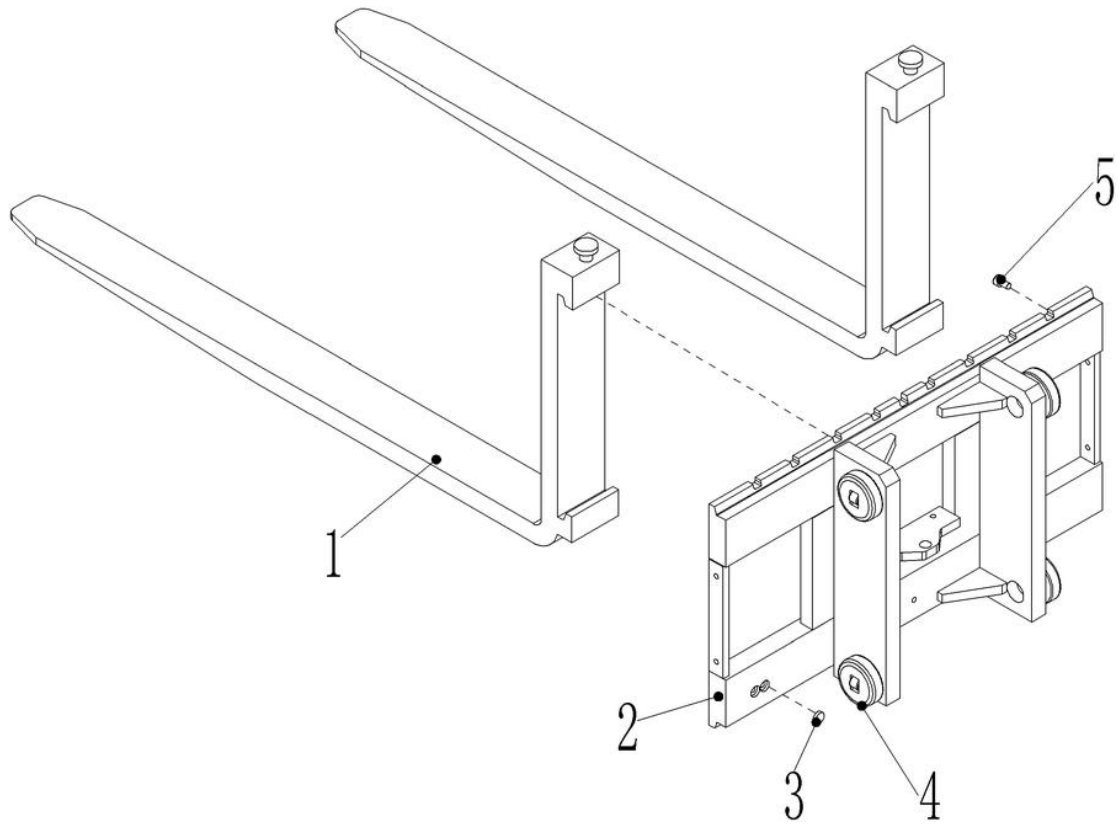


Fig.5 Fork assembly (straddle)

No.	Art No.	New Art No.	Description	Qty.	Note
1	9000017399	940100100010	Fork assembly (hook type)	2	Width: 120
2	9000016314	535038010005	Fork frame assembly	1	Three-stage-mast
	9000016310	535038010004			Two-stage-mast
3	2000435002	940600100001	Magnet steel	1	
4		940200300022	Roller	4	
5	0000023080	910200200074	Screw	2	M10x16

Fig.6 Truck assembly

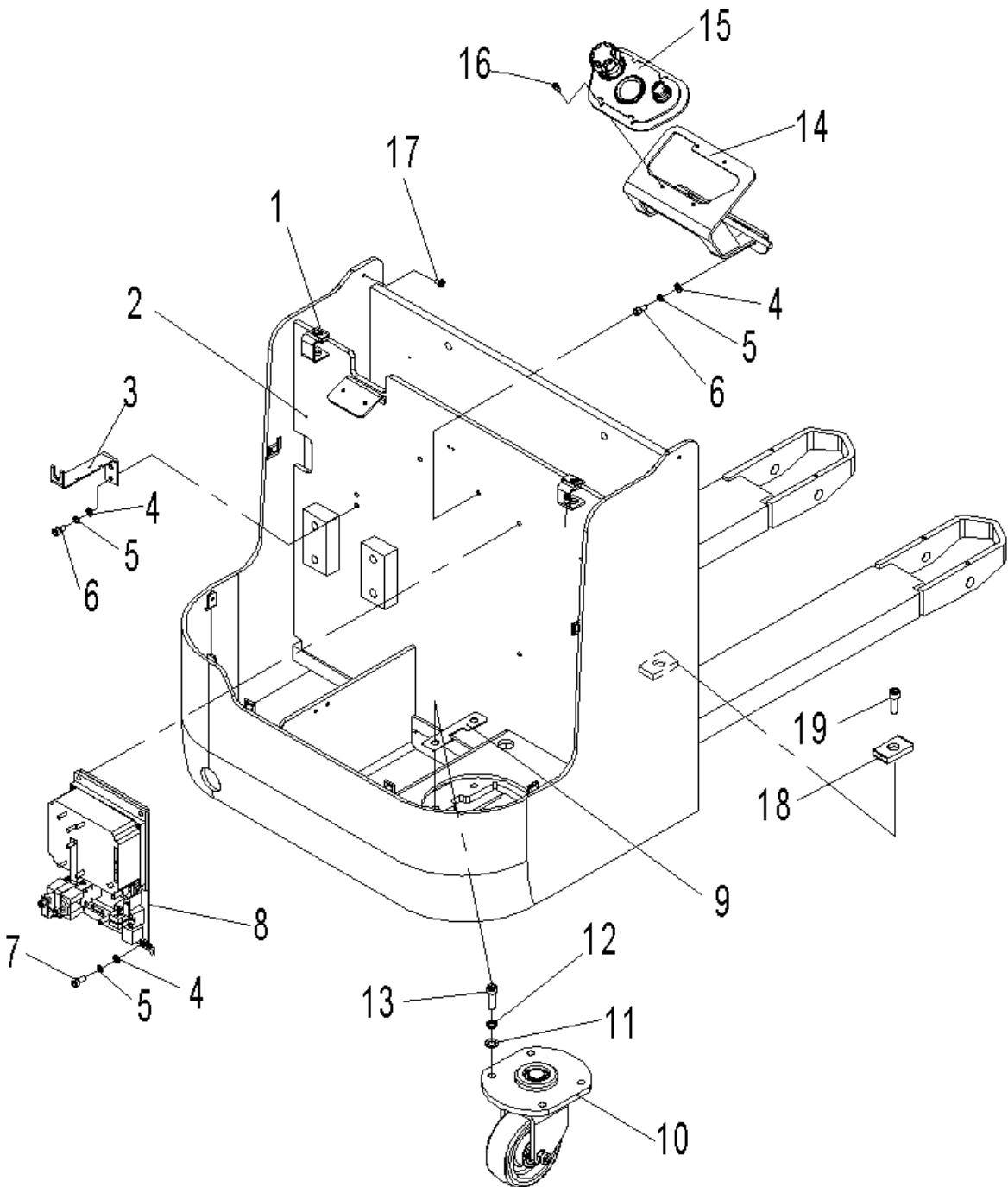


Fig.6 Truck Assembly

No.	Art No.	New Art No.	Description	Qty.	Note
1	9000007783	940400400003	Nut	2	M10
2	9000015945	535021510000	Truck body	1	570x1150
	9000015960	535021510001	Truck body	1	685x1150
3	9000015356	534721520025	Cable holder	1	
4	0000025011	910400100006	Washer	8	8
5	0000025001	910400500006	Washer	8	8
6	0000023067	910200200055	Screw	4	M8x16
7	0000023061	910200200058	Screw	4	M8x25
8	9000015362	534721520027	Controller fixing plate	1	
9	9000015361	534721520026	Steering wheel pad	6	
10	9000015432	534716510002	Steering wheel assembly	1	
11	0000025032	910400100008	Washer	4	12
12	0000025024	910400500008	Washer	4	12
13	0000023082	910200200099	Screw	4	M12x35
14	9000015430	534710010000	Fixing plate	1	
15	9000015431	534710001001	Instrument assembly	1	
16	0000023020	910200200036	Screw	4	M6x20
17	9000015369	534721520023	Locating sleeve	2	
18	9000015373	534721520024	Cushion	2	
19	0000023045	910200300017	Screw	2	M6x12

Fig.7 Truck assembly (side pull battery)

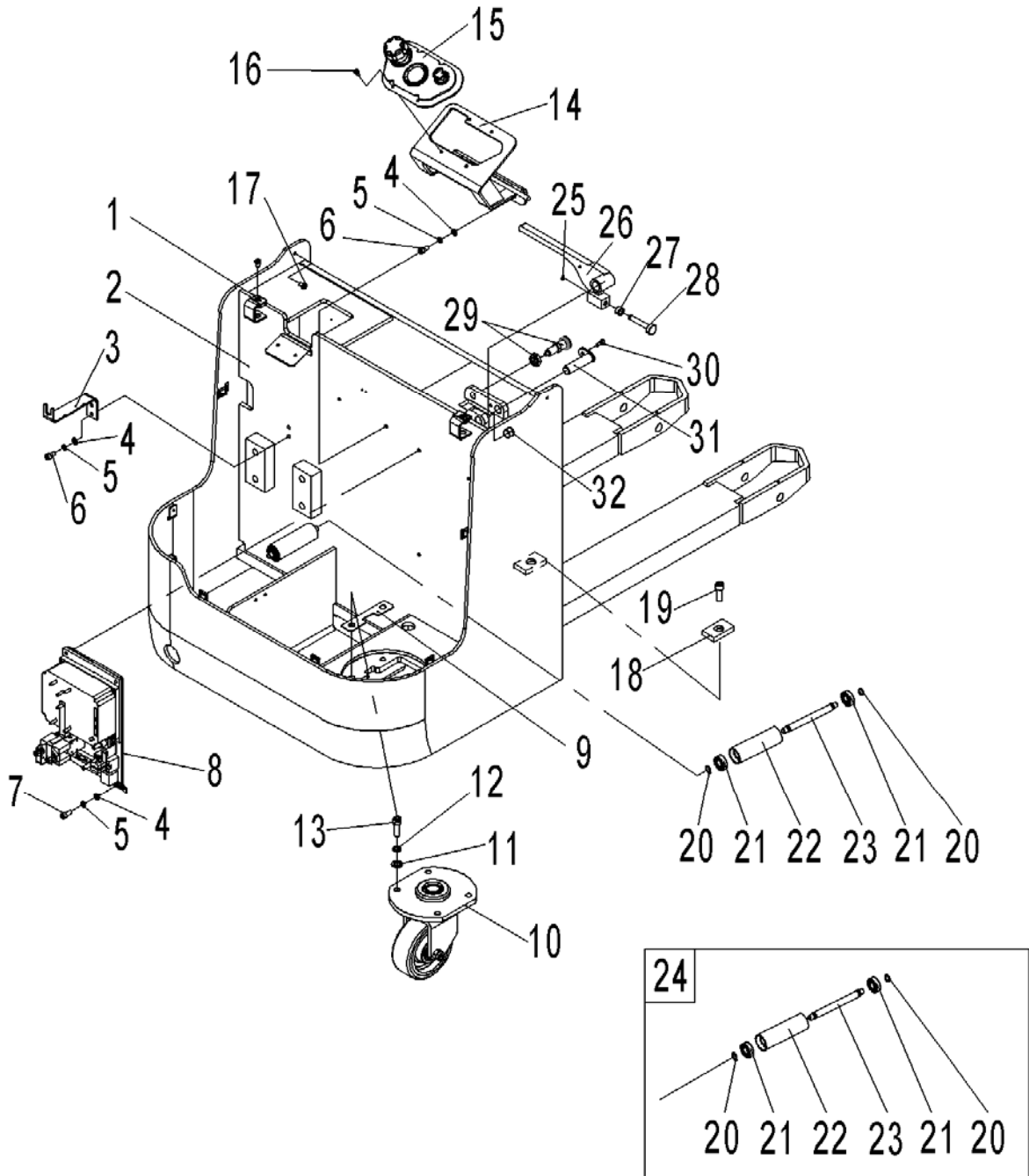


Fig.7 Truck Assembly (side pull battery)

No.	Art No.	New Art No.	Description	Qty.	Note
1	9000007783	940400400003	Nut	2	M10
2	9000017419	535021510002	Truck body	1	570x1150
	9000017425	535021510003	Truck body	1	685x1150
3	9000015356	534721520025	Cable holder	1	
4	0000025011	910400100006	Washer	8	8
5	0000025001	910400500006	Washer	8	8
6	0000023067	910200200055	Screw	4	M8x16
7	0000023061	910200200058	Screw	4	M8x25
8	9000015362	534721520027	Controller fixing plate	1	
9	9000015361	534721520026	Steering wheel pad	6	
10	9000015432	534716510002	Steering wheel assembly	1	
11	0000025032	910400100008	Washer	4	12
12	0000025024	910400500008	Washer	4	12
13	0000023082	910200200099	Screw	4	M12x35
14	9000015430	534710010000	Fixing plate	1	
15	9000015431	534710001001	Instrument assembly	1	
16	0000023020	910200200036	Screw	4	M6x20
17	9000015369	534721520023	Locating sleeve	2	
18	9000015373	534721520024	Cushion	2	
19	0000023045	910200300017	Screw	2	M6x12
20	0000026004	910401300006	Circlip	12	15
21	0000027060	910700200017	Bearing	12	6202
22	9000017410	534721520028	Barrel	6	
23	9000017409	534721520029	Axle	6	
24	9000017408	534721510003	Roller assembly	6	
25	0000026041	910401300002	Circlip	1	10
26		562038510008	Baffle welding	1	
27		535921520038	Elastic ring	1	
28		535921520037	Short axle	1	
29		940800900002	Pin	1	With nut
30	0000023384	910200400017	Screw	1	M6x16
31		535921510004	Plate with axle	1	
32	9000007799	940500200008	Bushing	2	

Fig.8 Truck assembly (straddle)

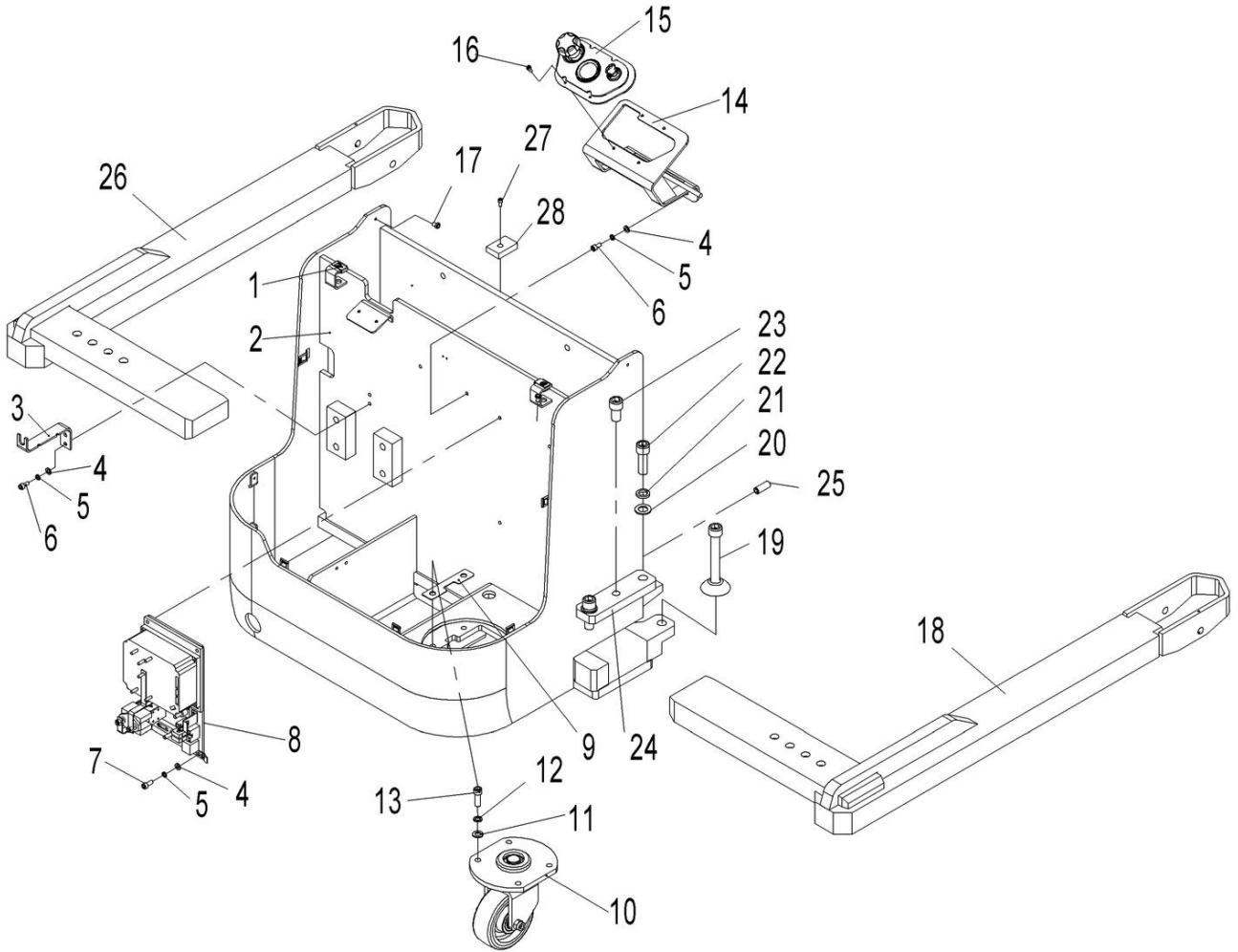


Fig.8 Truck assembly (straddle)

No.	Art No.	New Art No.	Description	Qty.	Note
1	9000007783	940400400003	Nut	2	M10
2	9000016317	535021510006	Truck assembly	1	
3	9000015356	534721520025	Cable holder	1	
4	0000025011	910400100006	Washer	8	8
5	0000025001	910400500006	Spring washer	8	8
6	0000023067	910200200055	Screw	4	M8x16
7	0000023061	910200200058	Screw	4	M8x25
8	9000015362	534721520027	Controller fixing plate	1	
9	9000015361	534721520026	Steering wheel pad	6	
10	9000015432	534716510002	Steering wheel	1	
11	0000025032	910400100008	Washer	4	12
12	0000025024	910400500008	Spring washer	4	12
13	0000023082	910200200099	Screw	4	M12x35
14	9000015430	534710010000	Fixing plate	1	
15	9000015431	534710001001	Instrument	1	
16	0000023020	910200200036	Screw	4	M6x20
17	9000015369	534721520023	Locating sleeve	2	
18		535021530001	Right front leg	1	
19	2050402002	532621510013	Supporting assembly	2	
20	0000025031	910400100012	Washer	4	20
21	0000025033	910400500012	Spring washer	4	20
22	0000023453	910200200132	Screw	4	M20x60
23	2050402003	532621520047	Locating pin	2	
24	9000016290	534721520048	Pressure plate	2	
25	0090000758	910200800042	Lock screw	6	M16x40
26		535021530000	Left front leg	1	
27	0000023053	910200200033	Screw	2	M6x12
28	9000015373	534721520024	Damping pad	2	

Fig.9 Power supply

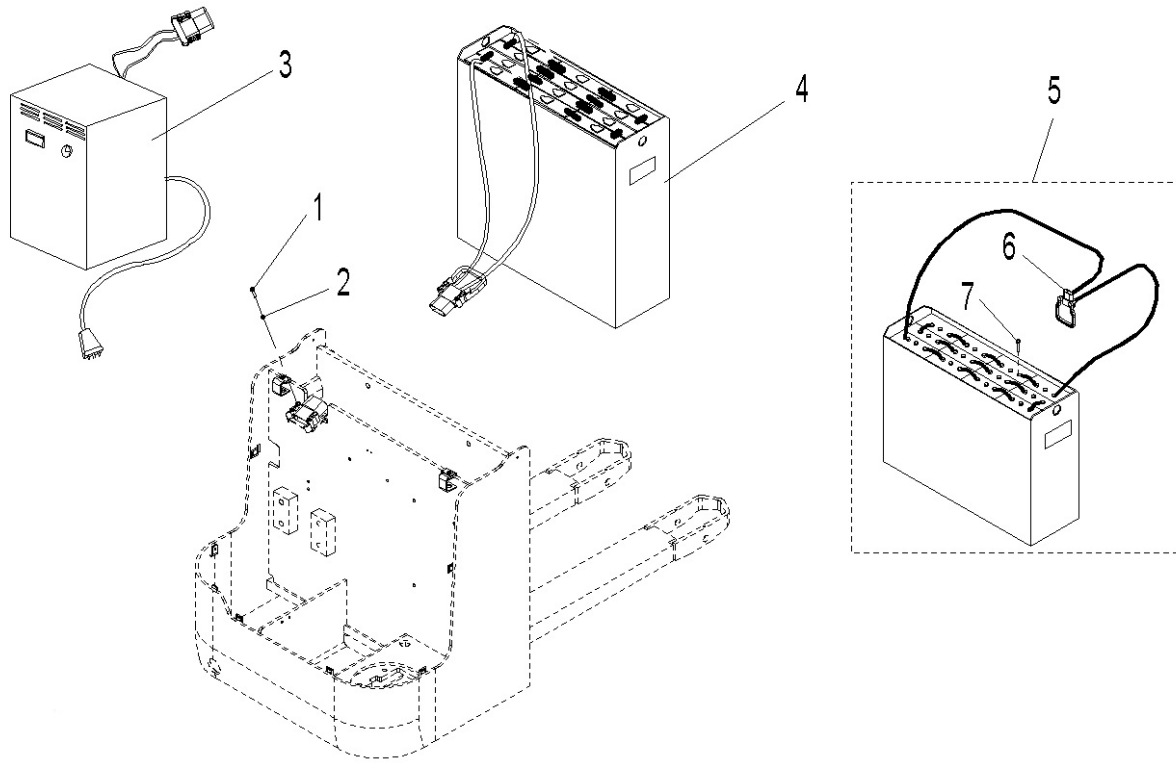


Fig.9 Power supply

No.	Art No.	New Art No.	Description	Qty.	Note
1	0000023106	910200200039	Screw	2	M6x30
2	0000023055	910400100005	Washer	2	6
3	9000010147	921000200019	Charger, SN24V45A	1	Asian in Chinese
	9000010148	921000200020	Charger, SN24V45A	1	Asian in English
	9000010194	921000200021	Charger, SN24V45A	1	European
	9000010195	921000200022	Charger, SN24V45A	1	Australian
	9000010196	921000200023	Charger, SN24V45A	1	British
	9000010197	921000200024	Charger, SN24V45A	1	American
4	9000008322	532637010002	Power assembly, 24V350Ah	1	Welded
5	9000009835	532637010003	Power assembly, 24V350Ah	1	Bolted
6	2000434002	920400100007	Connector assembly	1	Only for bolt type battery
7	9000009832	505698520000	Screw M10x22	24	

Fig.10 Instrument assembly

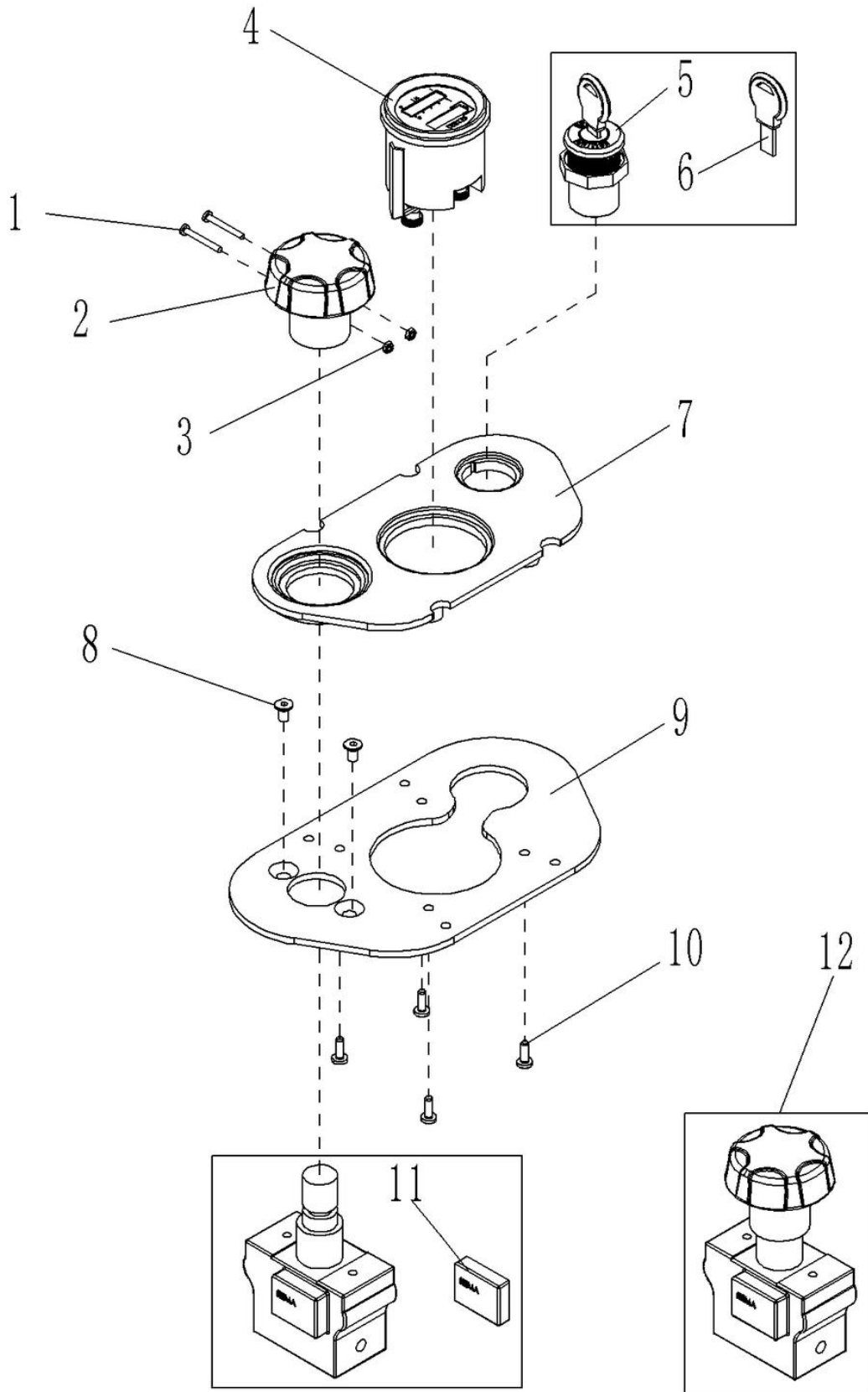


Fig.10 Instrument Assembly

No.	Art No.	New Art No.	Description	Qty.	Note
1	0000023685	910200500016	Screw	2	M3x25
2	9000008516	505698520029	DC power switch-mushroom cap	1	ZDK32-350
3	0000024002	910300100002	Nut	2	M3
4	9000000760	921100100012	Indicator	1	MDI-CAN-12V
5	9000008326	505634010000	Key switch	1	LKS-101A
6	9000008519	505698520031	Key switch-key	1	LKS-101A
7	9000015354	534710020004	Integrated leaf panel	1	
8	0000023215	910200400010	Screw	2	M5x10
9	9000015355	534710020005	Instrument fixing plate	1	
10	0090000272	910201300001	Lock screw	4	M4x12
11	9000008517	505698520030	Micro switch	1	ZDK32-350
12	9000008515	920200100001	DC power switch	1	ZDK32-350

Fig.11 Battery cover assembly

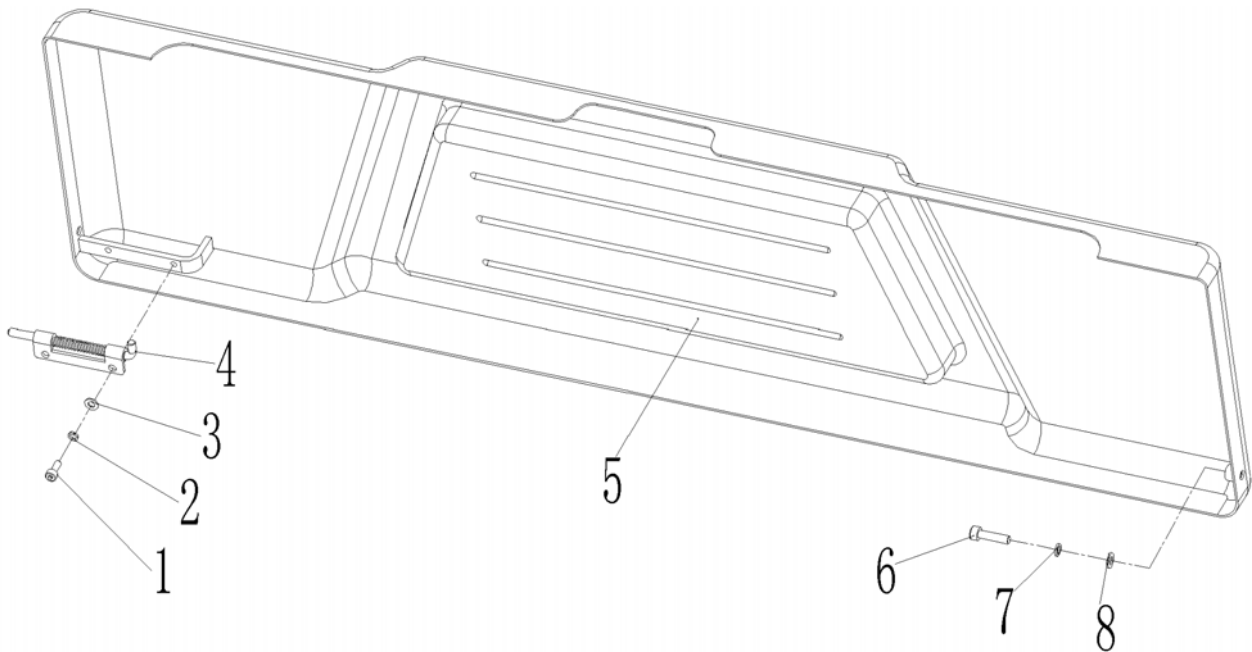


Fig.11 Battery Cover Assembly

No.	Art No.	New Art No.	Description	Qty.	Note
1	0000023073	910200200013	Screw	2	M4x10
2	0000025018	910400500003	Washer	2	4
3	0000025019	910400100003	Washer	2	4
4	9000008795	940800900001	Latch	1	
5	9000015947	535021010000	Battery cover	1	
6	0000023306	910200200024	Screw	1	M5x20
7	0000025015	910400500004	Washer	1	5
8	0000025014	910400100004	Washer	1	5

Fig.12 Steering wheel assembly

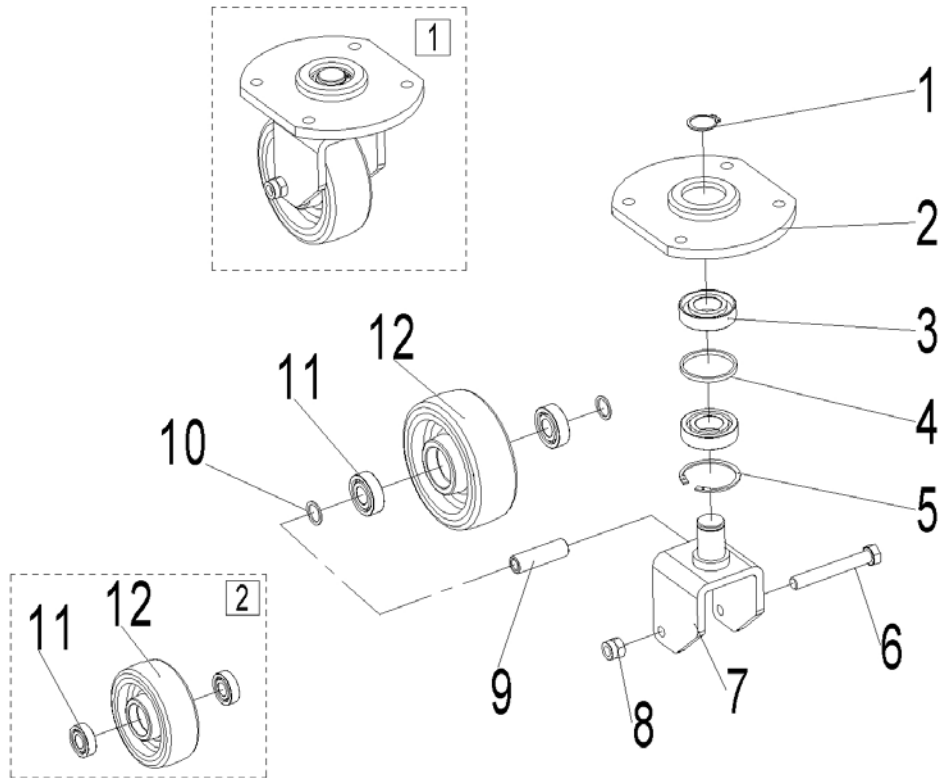


Fig.12 Steering Wheel Assembly

No.	Art No.	New Art No.	Description	Qty.	Note
1	0000026008	910401300016	Circlip	1	30
2	9000015433	534716510000	Bearing seat	1	
3	0000027013	910700400004	Bearing	2	7206C
4	9000014329	532616520001	Bushing	1	
5	0000026010	910401400018	Circlip	1	62
6	0000023111	910100100069	Bolt	1	M14x100
7	9000015434	534716510001	Rear wheel carrier	1	
8	0000024015	910300500007	Lock nut	1	M14
9	9000014331	532616520003	Bushing	1	
10	1000525001	940600500014	Washer	2	
11	0000027001	910700200019	Bearing	2	6204
12	2210416001	940300300020	Rear wheel	1	
①	9000015432	534716510002	Steering wheel assembly	1	
②	9000008896	533298510003	Wheels	1	

Fig.13 Three-stage mast system (full free lift)

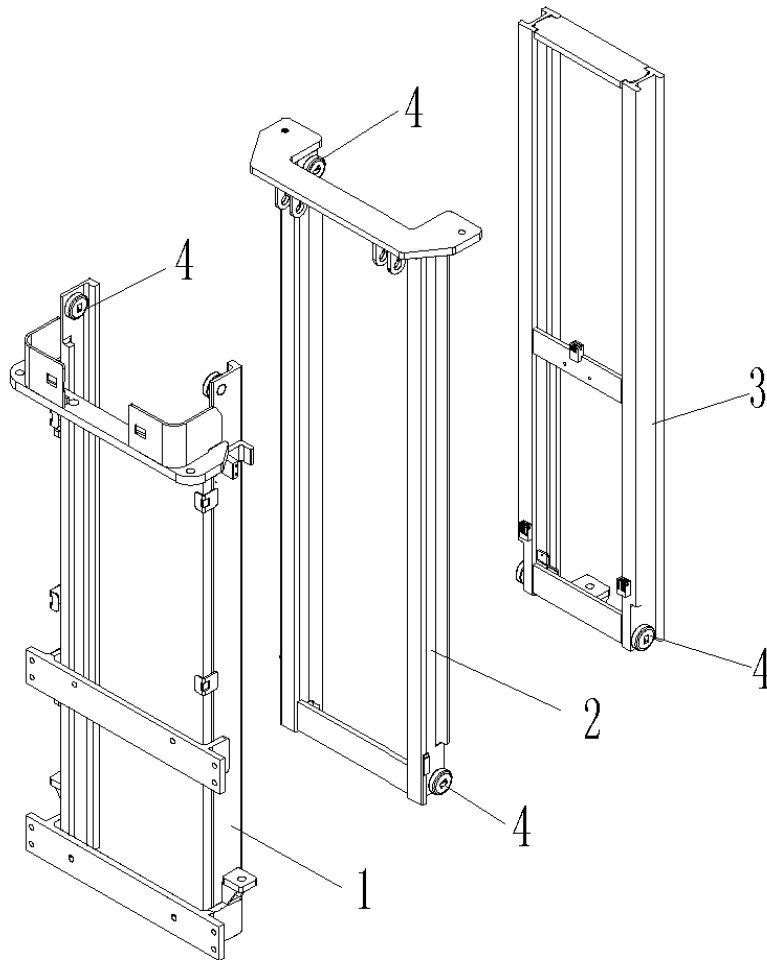


Fig.13 Three-stage Mast System (full free lift)

No.	Art No.	New Art No.	Description	Qty.	Note
1		535044510032	Mast	1	4600
		535044510033	Mast	1	4300
		535044510034	Mast	1	4000
2		535044510024	Mast	1	4600
		535044510025	Mast	1	4300
		535044510026	Mast	1	4000
3		535044510027	Mast	1	4600
		535044510028	Mast	1	4300
		535044510029	Mast	1	4000
4		940200300022	Roller	8	

Fig.14 Three-stage mast system (standard lift)

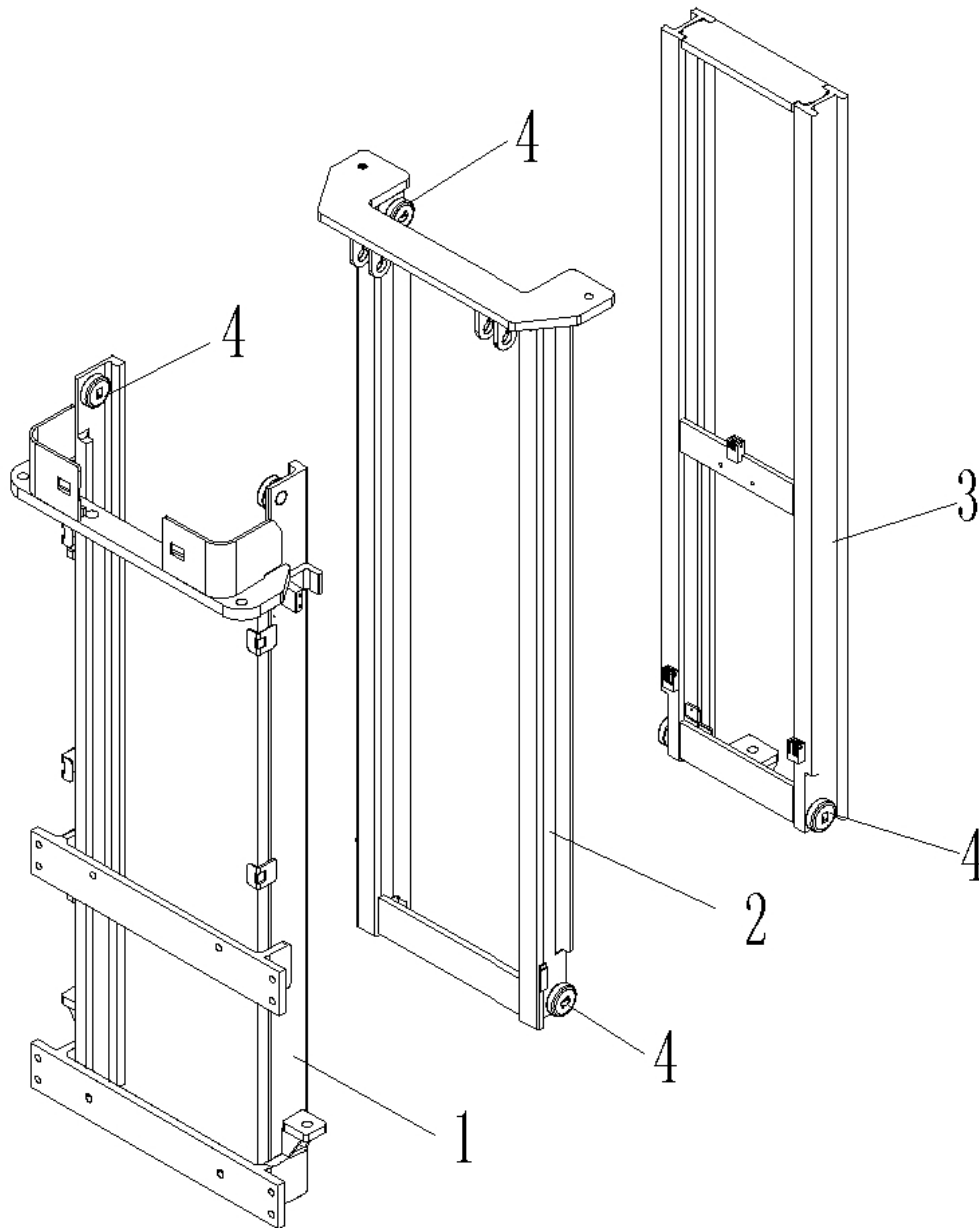


Fig.14 Three-stage Mast System (standard lift)

No.	Art No.	New Art No.	Description	Qty.	Note
1		535045010019	Mast	1	4600
		535045010020	Mast	1	4300
2		535045010015	Mast	1	4600
		535045010016	Mast	1	4300
3		535045010017	Mast	1	4600
		535045010018	Mast	1	4300
4		940200300022	Roller	8	

Fig.15 Two-stage mast system (full free lift)

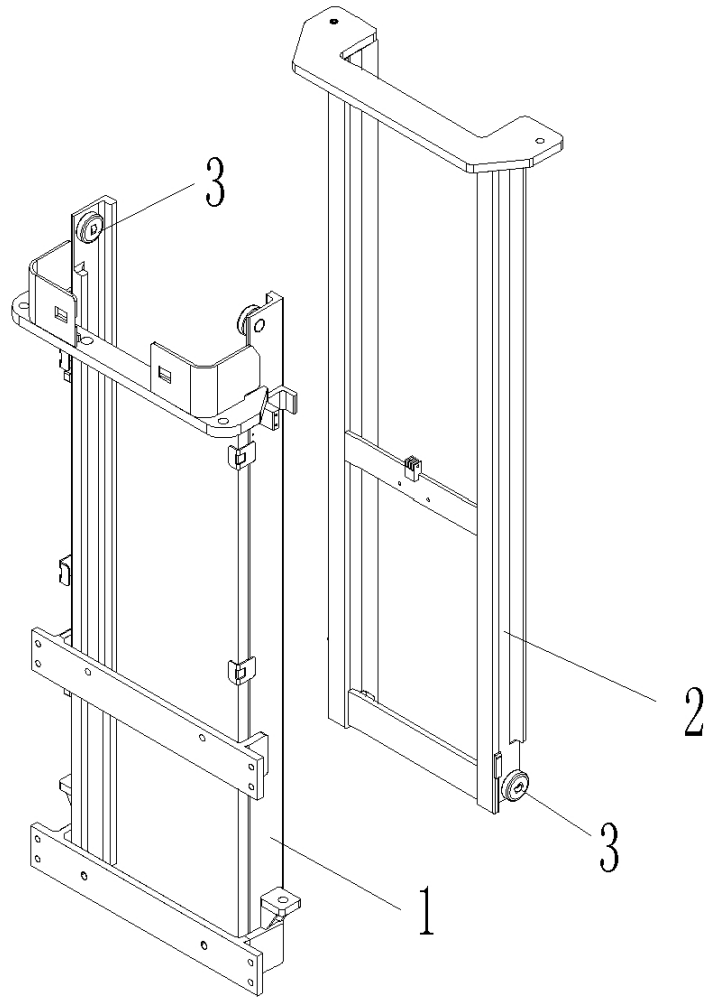


Fig.15 Two-stage Mast System (full free lift)

No.	Art No.	New Art No.	Description	Qty.	Note
1		535043510037	Mast	1	3600
		535043510038	Mast	1	3200
		535043510036	Mast	1	2900
		535043510039	Mast	1	2700
2		535043510030	Mast	1	3600
		535043510031	Mast	1	3200
		535043510032	Mast	1	2900
		535043510033	Mast	1	2700
3		940200300022	Roller	4	

Fig.16 Two-stage mast system (standard lift)

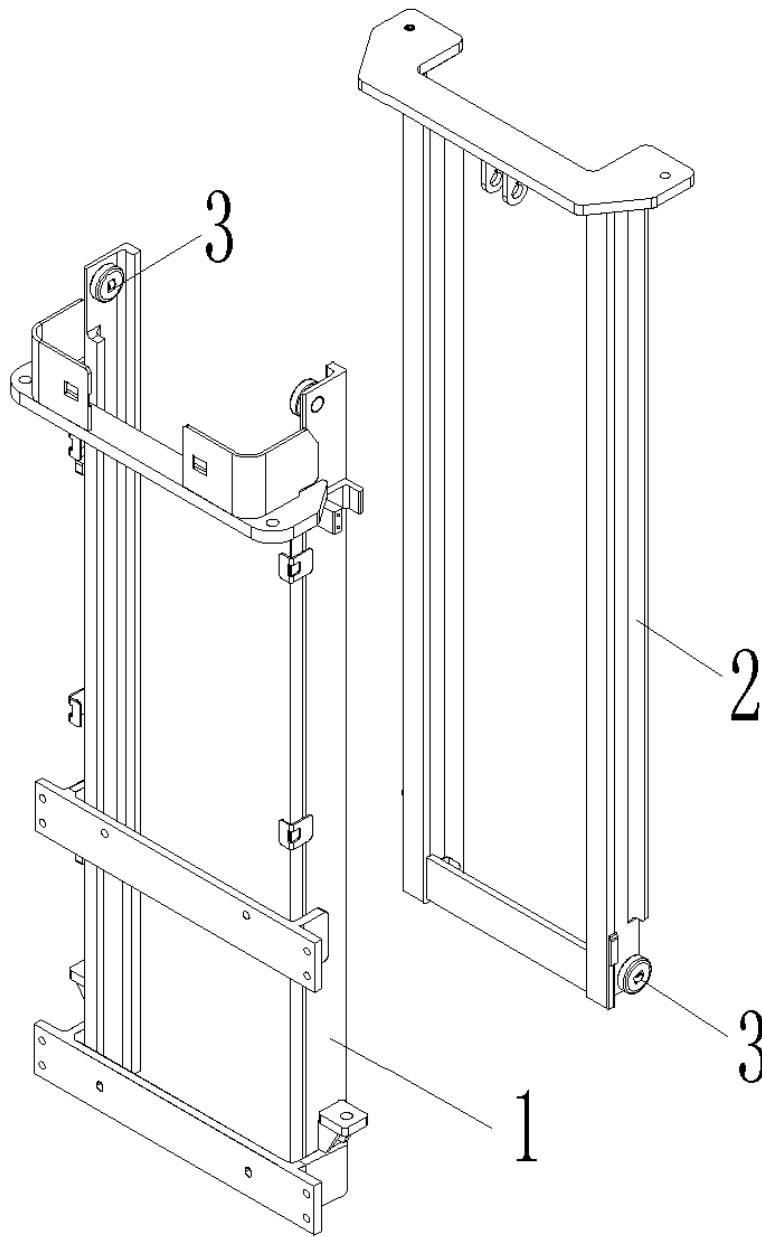


Fig.16 Two-stage Mast System (standard lift)

No.	Art No.	New Art No.	Description	Qty.	Note
1		535044010018	Mast	1	3600
		535044010019	Mast	1	3200
		535044010020	Mast	1	2900
2		535044010015	Mast	1	3600
		535044010016	Mast	1	3200
		535044010017	Mast	1	2900
3		940200300022	Roller	4	

Fig.17 Three-stage mast chain system (full free lift)

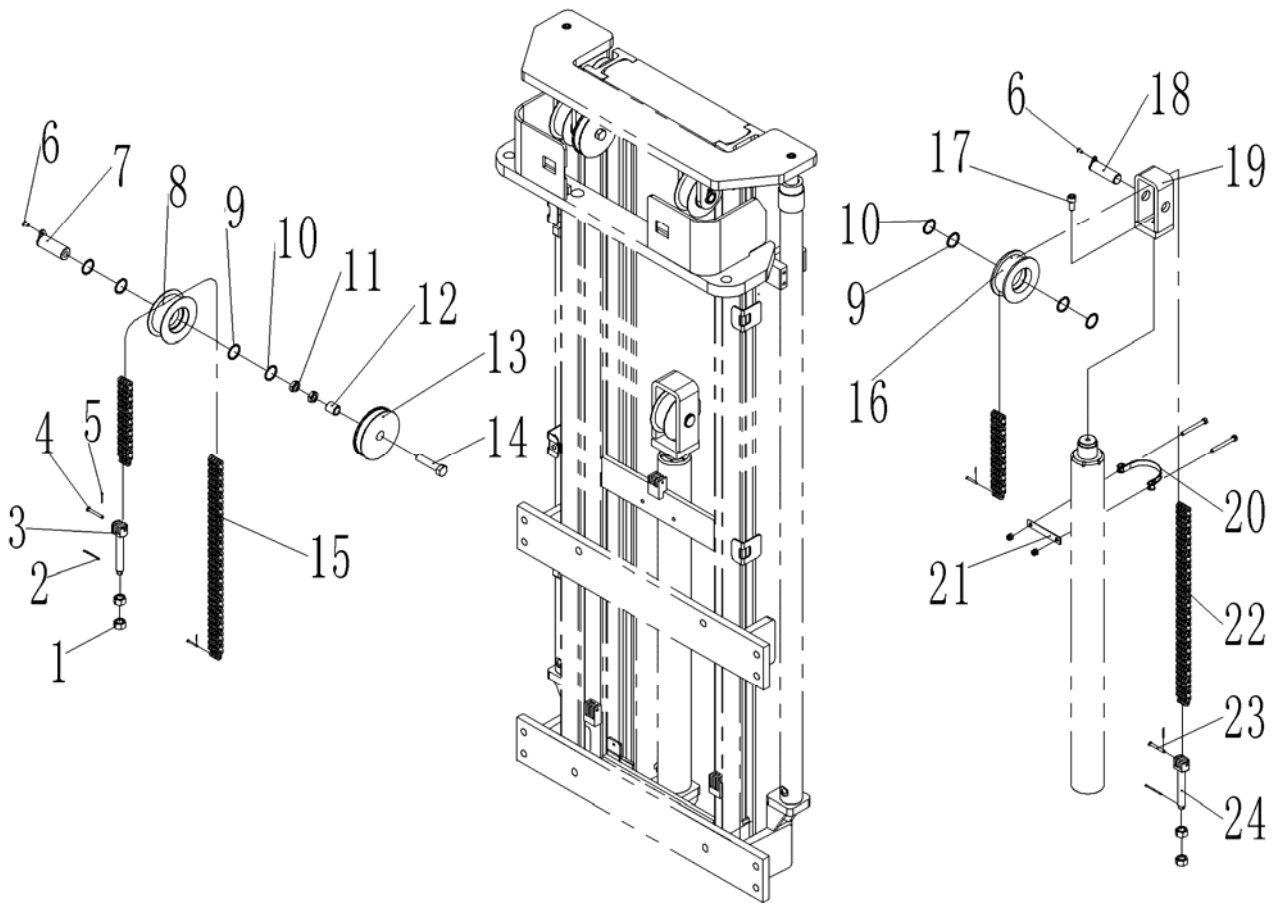


Fig.17 Three-stage Mast Chain System (full free lift)

No.	Art No.	New Art No.	Description	Qty.	Note
1	0090000442	910300200008	Nut	6	M16x1.5
2	0090000035	910600600032	Split pin	3	3.2x40
3	9000008260	941300100008	Bolt	2	M16x1.5x130
4	0000028030	941100800006	Short axle	4	B6x45
5	0000028010	910600600015	Split pin	6	2x20
6	0000023091	910200400016	Screw	3	M6x12
7	9000009130	533544510006	Chain wheel axle	2	
8	9000015636	940200500010	Chain wheel for mast	2	
9	2000302002	940600500008	Adjusting washer	6	thickness 2
10	9000015670	940600500009	Adjusting washer	6	thickness 4
11	0000024010	910300300008	Nut	2	M16
12	9000008245	532644520028	Bearing bush	1	
13	9000008246	532644520032	Pulley	1	
14	0000023123	910100100074	Bolt	1	M16x70
15	0090000478	535044510016	Chain, LH1066-129	2	4600
	0000029070	534145010005	Chain, LH1066-123	2	4300
	0090000811	535044510020	Chain, LH1066-113	2	4000
16	9000015635	940200500011	Chain wheel for mast	1	
17	0000023156	910200200097	Screw	1	M12x25
18	9000015942	535045010008	Chain wheel axle	1	
19	9000015829	535043510034	Chain wheel seat	1	
20	9000009831	940800600002	Hoop assembly	1	center distance 96
21	9000015319	534744520014	Middle cylinder pad	1	
22	0090000813	535043510023	Chain, LH1266-61	1	4600
		535044510030	Chain, LH1266-59	1	4300
	0090000810	535043510025	Chain, LH1266-55	1	4000
23	0000007003	941100800009	Short axle	2	B8x50
24	9000015907	941300100018	Bolt	1	M16x1.5x130

Fig.18 Three-stage mast chain system (standard lift)

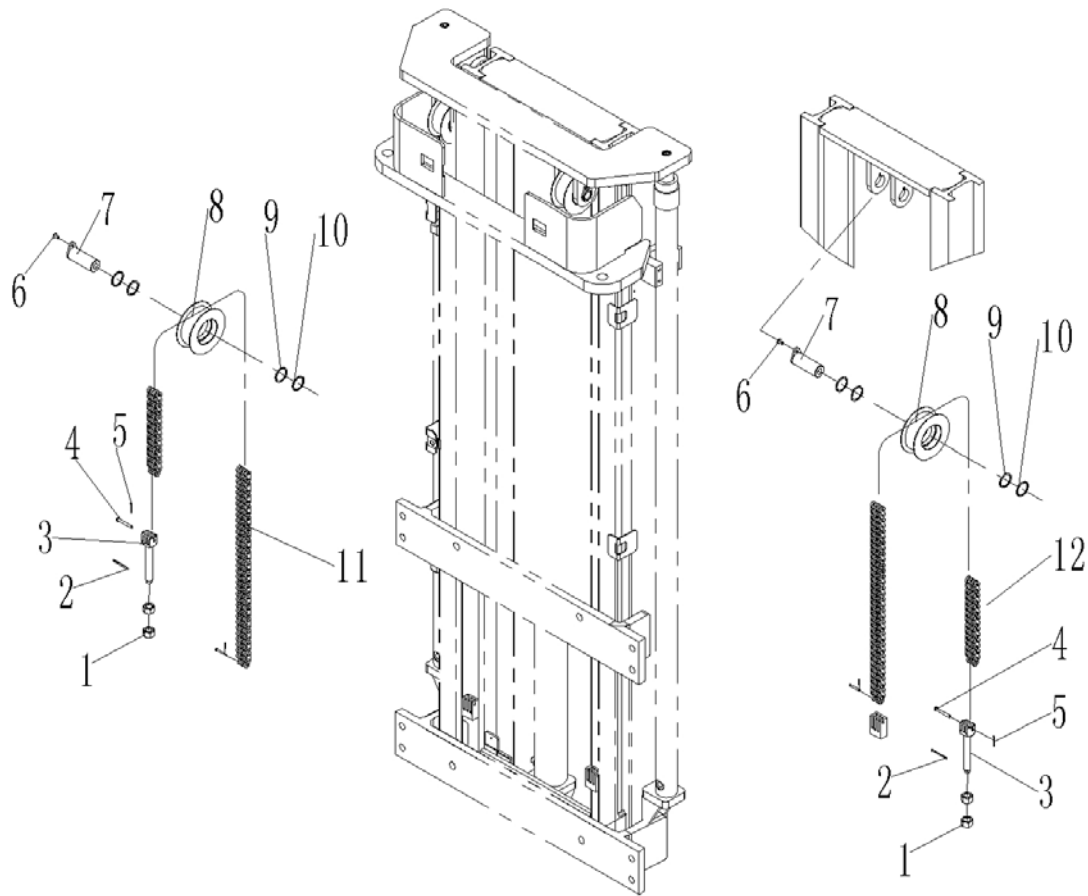


Fig.18 Three-stage mast chain system (standard lift)

No.	Art No.	New Art No.	Description	Qty.	Note
1	0090000442	910300200008	Nut	6	M16x1.5
2	0090000035	910600600032	Split pin	3	3.2x40
3	9000015907	941300100018	Bolt	3	M16x1.5x130
4	0000007003	941100800009	Short axle	6	B8x50
5	0000028010	910600600015	Split pin	6	2x20
6	0000023091	910200400016	Screw	3	M6x12
7	9000015942	535045010008	Chain wheel axle	3	
8	9000015635	940200500011	Chain wheel for mast	3	
9	2000302002	940600500008	Adjusting washer	6	thickness 2
10	9000015670	940600500009	Adjusting washer	6	thickness 4
11	0090000853	535045010010	Chain, LH1266-107	2	4600
	0090000808	535044010010	Chain, LH1266-103	2	4300
12	0090000808	535044010010	Chain, LH1266-103	1	4600
	0090000889	535044010011	Chain, LH1266-97	1	4300

Fig.19 Two-stage mast chain system (full free lift)

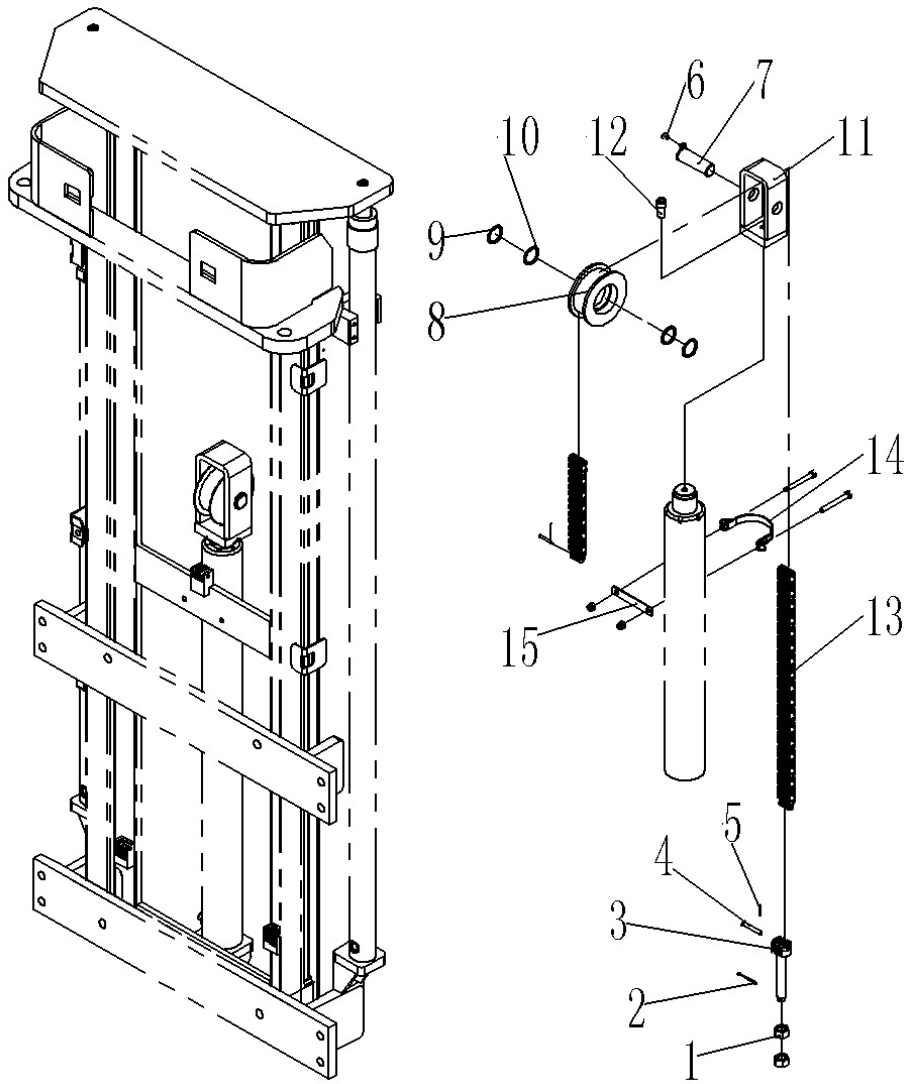


Fig.19 Two-stage Mast Chain System (full free lift)

No.	Art No.	New Art No.	Description	Qty.	Note
1	0090000442	910300200008	Nut	2	M16x1.5
2	0090000035	910600600032	Split pin	1	3.2x40
3	9000015907	941300100018	Bolt	1	M16x1.5x130
4	0000007003	941100800009	Short axle	2	B8x50
5	0000028010	910600600015	Split pin	2	2x20
6	0000023091	910200400016	Screw	1	M6x12
7	9000015942	535045010008	Chain wheel axle	1	
8	9000015635	940200500011	Circlip for axle	1	
9	2000302002	940600500008	Adjusting washer	2	thickness 2
10	9000015670	940600500009	Adjusting washer	2	thickness 4
11	9000015829	535043510034	Chain wheel seat	1	
12	0000023156	910200200097	Screw	1	M12x25
13	0090000812	535043510022	Chain LH1266x67	1	3600
	0090000813	535043510023	Chain LH1266x61	1	3200
	0090000814	535043510024	Chain LH1266x57	1	2900
	0090000810	535043510025	Chain LH1266x55	1	2700
14	9000009831	940800600002	Hoop assembly	1	center distance 96
15	9000015319	534744520014	Middle cylinder pad	1	

Fig.20 Two-stage mast chain system (standard lift)

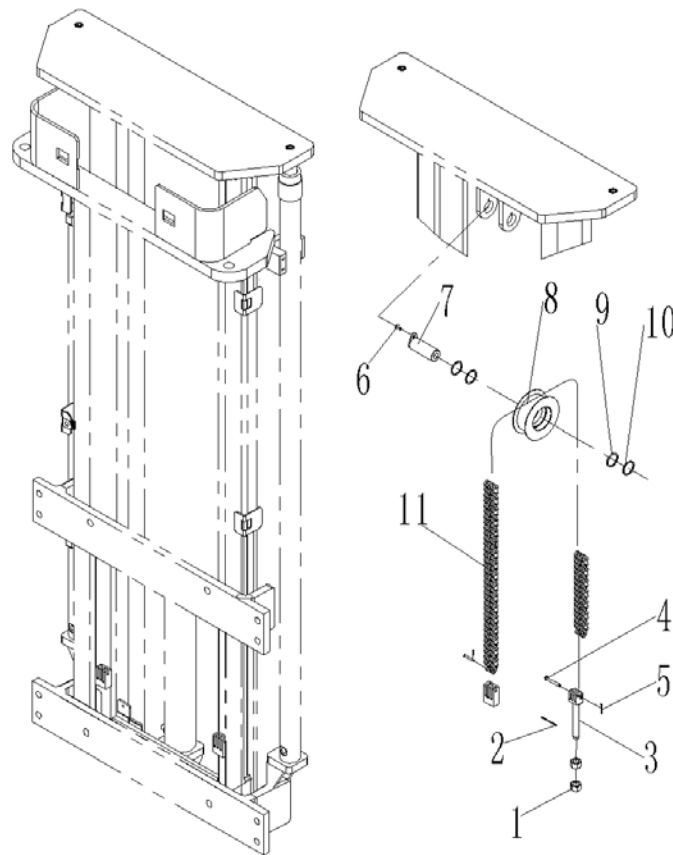


Fig.20 Two-stage Mast Chain System (standard lift)

No.	Art No.	New Art No.	Description	Qty.	Note
1	0090000442	910300200008	Nut	4	M16x1.5
2	0090000035	910600600032	Split pin	2	3.2x40
3	9000015907	941300100018	Bolt	2	M16x1.5x130
4	0000007003	941100800009	Short axle	2	B8x50
5	0000028010	910600600015	Split pin	1	2x20
6	0000023091	910200400016	Screw	1	M6x12
7	9000015942	535045010008	Chain wheel axle	1	
8	9000015635	940200500011	Chain wheel for mast	1	
9	2000302002	940600500008	Adjusting washer	2	thickness 2
10	9000015670	940600500009	Adjusting washer	2	thickness 4
11	0090000890	535044010009	Chain, LH1266-115	1	3600
	0090000618	535045010009	Chain, LH1266-105	1	3200
	0090000889	535044010011	Chain, LH1266-97	1	2900

Fig.21 Mast and other parts

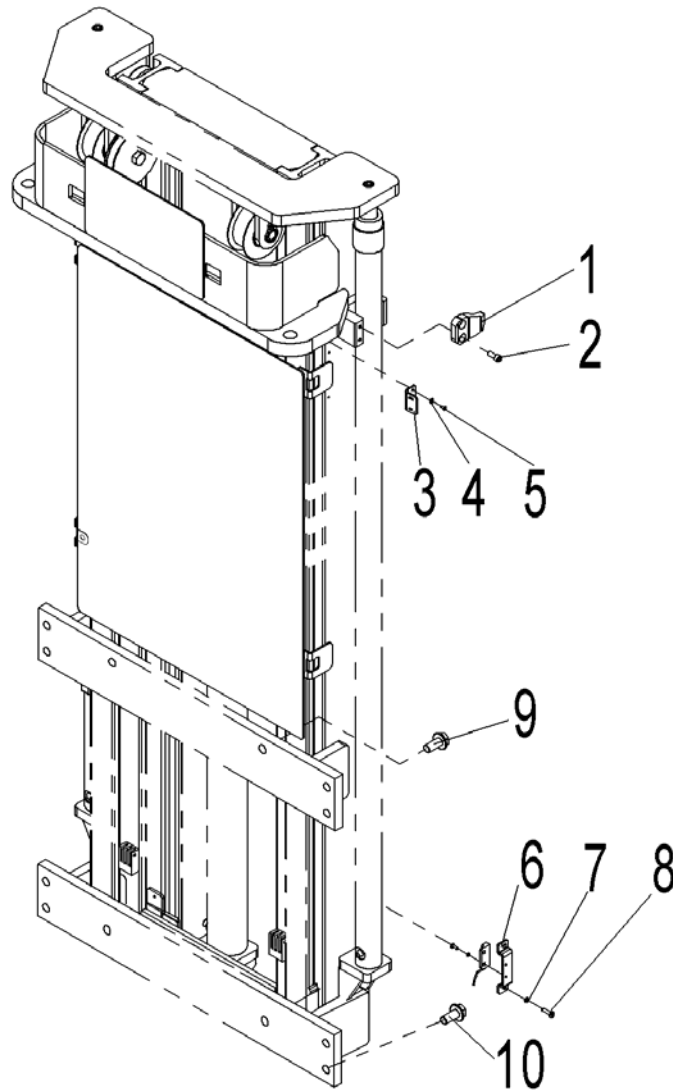


Fig.21 Mast and other Parts

No.	Art No.	New Art No.	Description	Qty.	Note
1	3018005004	275044020076	Cylinder pressing plate	2	
2	0000023044	910200200057	Screw	4	M8x20
3	9000015321	534744520036	Limit switch fixing plate	1	
4	0000025008	910400100003	Washer	2	4
5	1000123003	910200300005	Screw	2	M4x8
6		534744520059	Protective cover	1	
7	0000025009	910400500003	Washer	2	4
8	0000023853	910200200015	Screw	2	M4x12
9	0090000018	910100800005	Bolt	4	M16x35
10	0090000823	910100800006	Bolt	8	M16x40

Fig.22 Three-stage mast hydraulic system (full free lift)

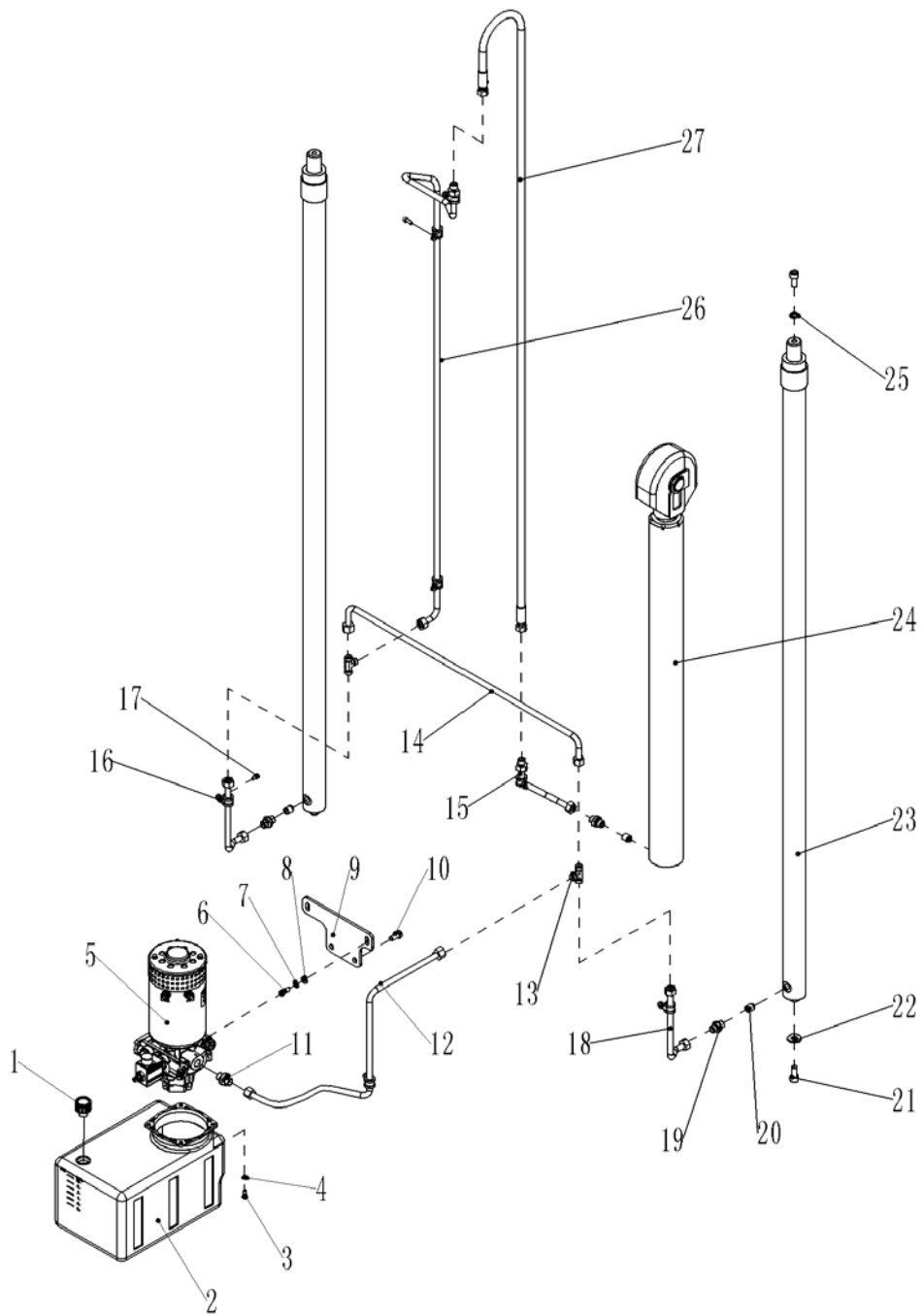


Fig.22 Three-stage Mast Hydraulic System (full free lift)

No.	Art No.	New Art No.	Description	Qty.	Note
1		951100200004	Air plug	1	
2		534719020002	Oil tank	1	

3	0090000025	910100300010	Bolt	4	M6x16
4	0000023055	910400100005	Washer	4	6
5	9000015649	950900100015	Hydraulic power unit 24V3.2KW4.0cc	1	Without tank
6	0000023044	910200200057	Screw	4	M8x20
7	0000025001	910400500006	Washer	4	8
8	0000025011	910400100006	Washer	1	8
9		534719020001	Fixing plate	1	
10	0000023034	910200200075	Screw	2	M10x20
11	9000015645	950400300005	G straight pipe joint	1	
12	9000015648	535024010005	Special pipe assembly	1	
13	9000007846	950400700002	Tee coupling	2	
14	9000015968	535024010000	Connecting steel pipe	1	
15	9000015966	535044510015	Middle cylinder steel tube	1	
16	9000014895	951000100001	YGE pipe clamp	3	12
17	0000023604	910200200045	Screw	3	M6x6
18	9000015923	535024010002	Side tube	2	
19	9000007842	950400400003	Straight pipe joint	3	
20	2000337001	950600300001	Safety valve	3	
21	0000023156	910200200097	Screw	4	M12x25
22	9000015320	534744520015	Cylinder fixing pad	2	
23	9000015985	535044510000	Cylinder	2	4600
	9000015991	535044510001	Cylinder	2	4300
	9000015996	535044510002	Cylinder	2	4000
24	9000015425	534744510012	Cylinder(M)	1	4600
	9000015449	534744510013	Cylinder(M)	1	4300
	9000015836	535043510012	Cylinder(M)	1	4000
25	0000025024	910400500008	Washer	2	12
26	9000015967	535044510012	Steel tube	1	4600
	9000015971	535044510013	Steel tube	1	4300
	9000015978	535044510014	Steel tube	1	4000
27	9000010286	532644520144	Hydraulic hose assembly	1	4600
	9000010284	532644520143	Hydraulic hose assembly	1	4300
	9000016324	535044510019	Hydraulic hose assembly	1	4000

Fig.23 Three-stage mast hydraulic system (standard lift)

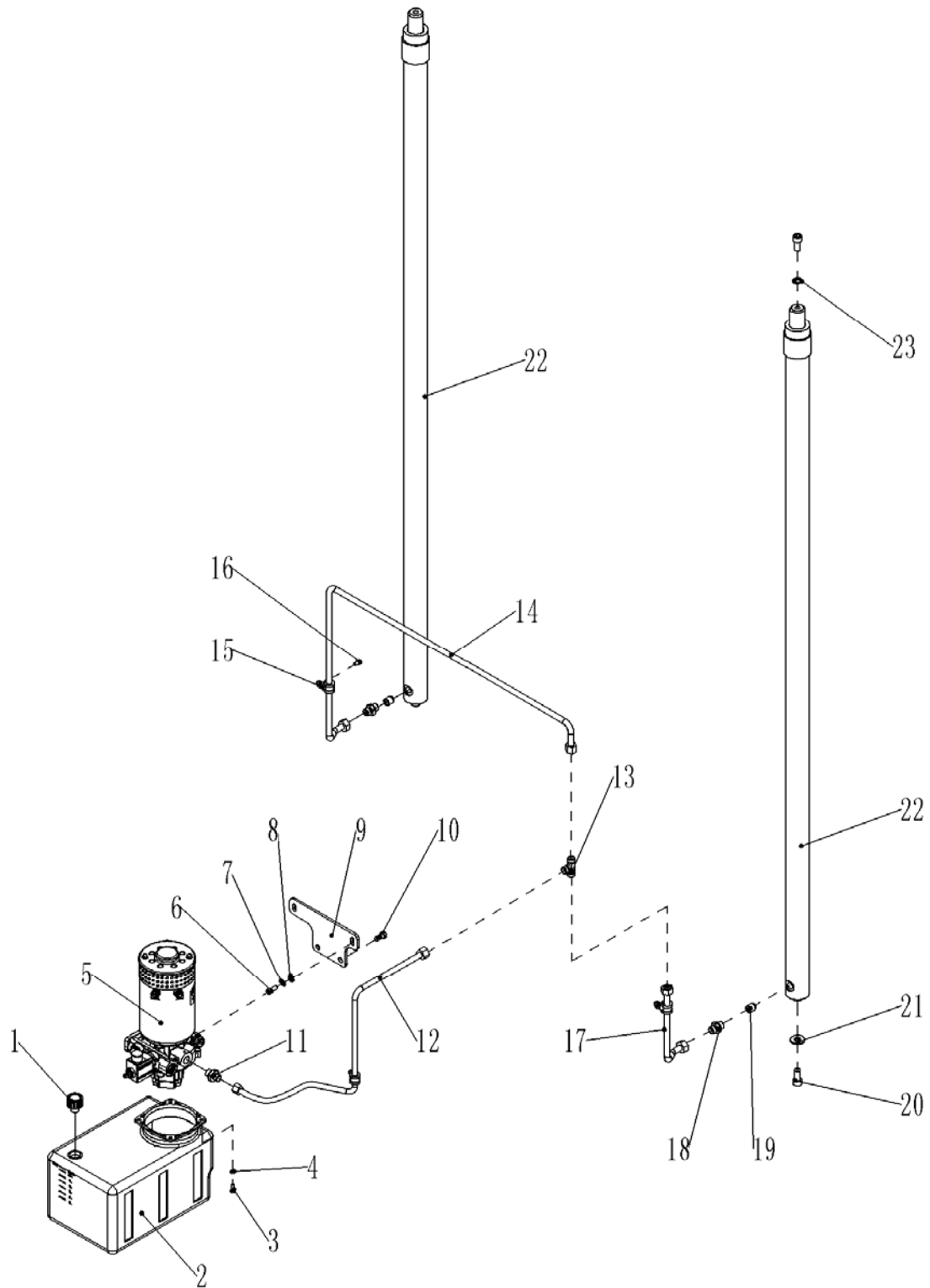


Fig.23 Three-stage Mast Hydraulic System (standard lift)

No.	Art No.	New Art No.	Description	Qty.	Note
1		951100200004	Air plug	1	
2		534719020002	Oil tank	1	
3	0090000025	910100300010	Bolt	4	M6x16
4	0000023055	910400100005	Washer	4	6
5	9000015649	950900100015	Hydraulic power unit 24V3.2KW4.0cc	1	Without tank
6	0000023044	910200200057	Screw	4	M8x20
7	0000025001	910400500006	Washer	4	8
8	0000025011	910400100006	Washer	1	8
9		534719020001	Fixing plate	1	
10	0000023034	910200200075	Screw	2	M10x20
11	9000015645	950400300005	G straight pipe joint	1	
12	9000015646	535024010005	Special pipe assembly	1	
13	9000007846	950400700002	Tee coupling	2	
14	9000015672	535024010001	Connecting steel pipe	1	
15	9000014895	951000100001	YGE pipe clamp	3	12
16	0000023604	910200200045	Screw	3	M6x6
17	9000015923	535024010002	Side steel tube	1	
18	9000007842	950400400003	Straight pipe joint	2	
19	2000337001	950600300001	Safety valve	2	
20	0000023156	910200200097	Screw	4	M12x25
21	9000015320	534744520015	Cylinder fixing pad	2	
22	9000015943	535045010000	Outer cylinder	2	4600
	9000015958	535045010001	Outer cylinder	2	4300
23	0000025024	910400500008	Washer	2	12

Fig.24 Two-stage mast hydraulic system (full free lift)

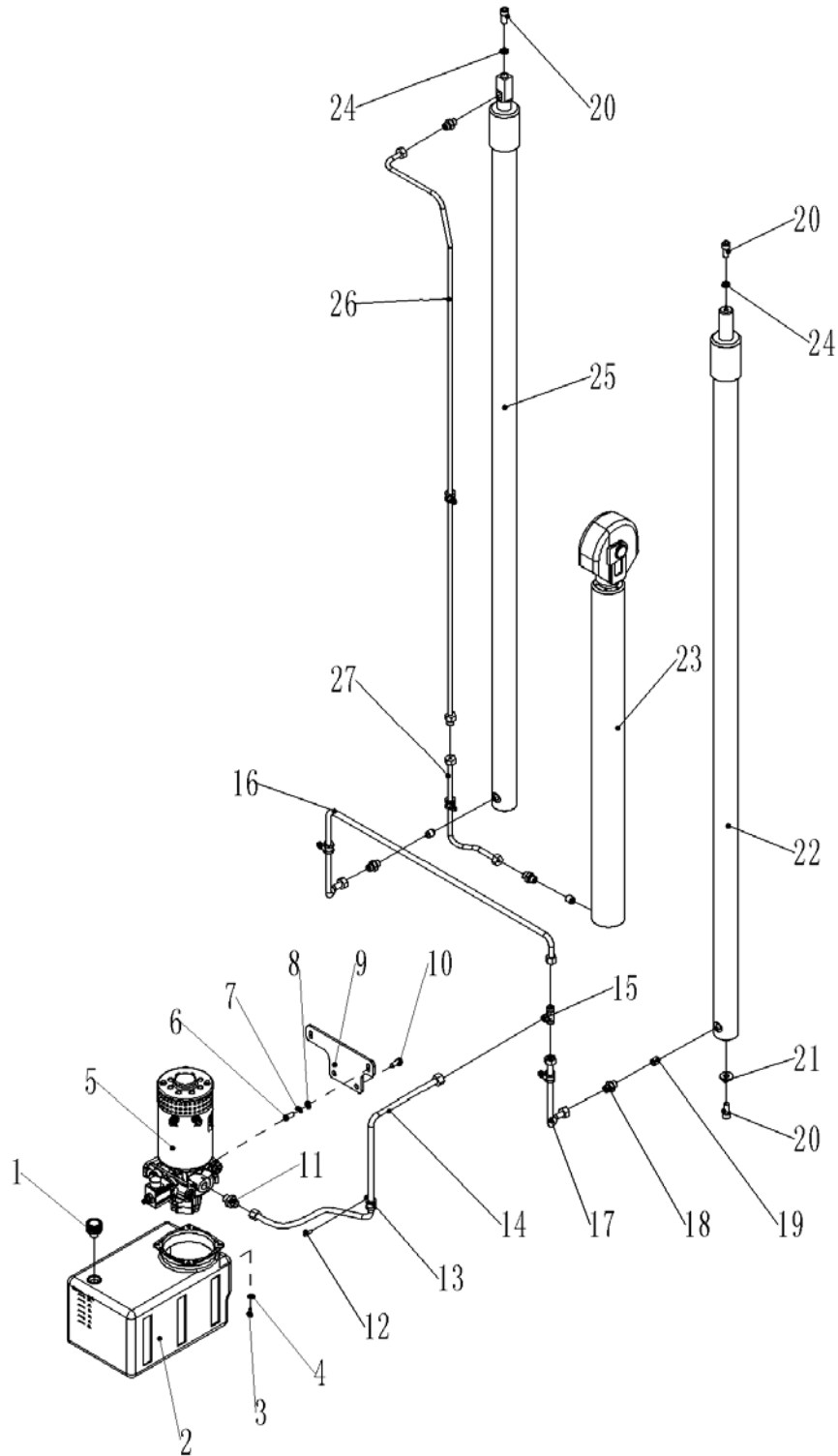


Fig.24 Two-stage Mast Hydraulic System (full free lift)

No.	Art No.	New Art No.	Description	Qty.	Note
1		951100200004	Air plug	1	

2		534719020002	Oil tank	1	
3	0090000025	910100300010	Bolt	4	M6x16
4	0000023055	910400100005	Washer	4	6
5	9000015649	950900100015	Hydraulic power unit 24V3.2KW4.0cc	1	Without tank
6	0000023044	910200200057	Screw	4	M8x20
7	0000025001	910400500006	Washer	4	8
8	0000025011	910400100006	Washer	1	8
9		534719020001	Fixing plate	1	
10	0000023034	910200200075	Screw	2	M10x20
11	9000015645	950400300005	G straight pipe joint	1	
12	0000023604	910200200045	Screw	3	M6x6
13	9000014895	951000100001	YGE pipe clamp	3	12
14	9000015648	535024010005	Special pipe assembly	1	
15	9000007846	950400700002	Tee coupling	2	
16	9000015672	535024010001	Connecting steel pipe	1	
17	9000015923	535024010002	Side steel pipe	1	
18	9000007842	950400400003	Straight pipe joint	2	
19	2000337001	950600300001	Safety valve	2	
20	0000023156	910200200097	Screw	4	M12x25
21	9000015320	534744520015	Cylinder fixing pad	2	
22	9000015866	535043510004	Cylinder(R)	1	3600
	9000015872	535043510005	Cylinder(R)	1	3200
	9000015877	535043510006	Cylinder(R)	1	2900
	9000015882	535043510007	Cylinder(R)	1	2700
23	9000015235	534743510009	Cylinder(M)	1	3600
	9000015250	534743510010	Cylinder(M)	1	3200
	9000015259	534743510011	Cylinder(M)	1	2900
	9000015836	535043510012	Cylinder(M)	1	2700
24	0000025024	910400500008	Washer	2	12
25	9000015865	535043510000	Cylinder(L)	1	3600
	9000015871	535043510001	Cylinder(L)	1	3200
	9000015876	535043510002	Cylinder(L)	1	2900
	9000015881	535043510003	Cylinder(L)	1	2700
26	9000015842	535043510008	Steel pipe	1	3600
	9000015847	535043510009	Steel pipe	1	3200
	9000015852	535043510010	Steel pipe	1	2900
	9000015857	535043510011	Steel pipe	1	2700
27	9000015838	535043510035	Steel pipe	1	

Fig.25 Two-stage mast hydraulic system (standard lift)

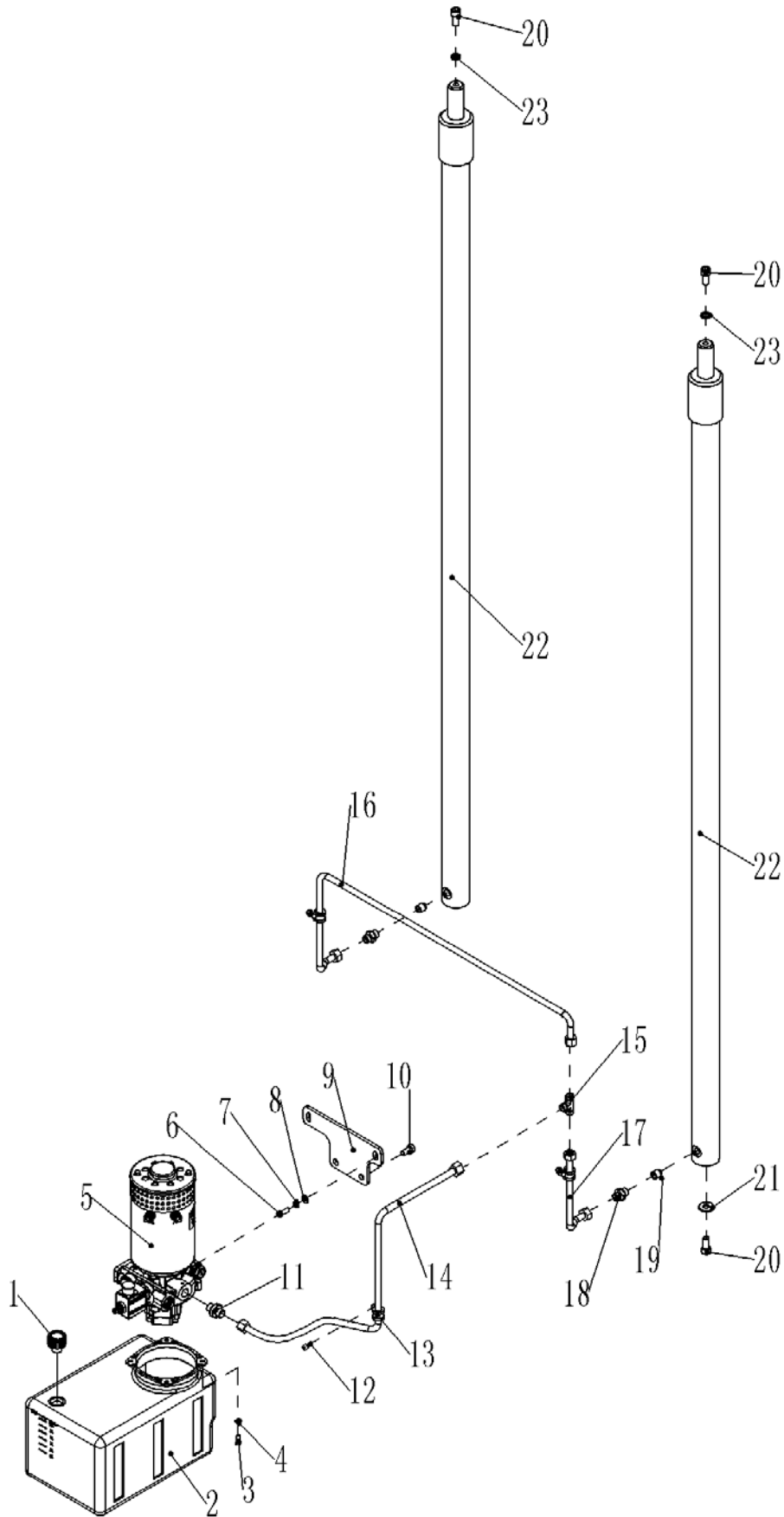


Fig.25 Two-stage Mast Hydraulic System (standard lift)

No.	Art No.	New Art No.	Description	Qty.	Note
1		951100200004	Air plug	1	
2		534719020002	Oil tank	1	
3	0090000025	910100300010	Bolt	4	M6x16
4	0000023055	910400100005	Washer	4	6
5	9000015649	950900100015	Hydraulic power unit 24V3.2KW4.0cc	1	Without tank
6	0000023044	910200200057	Screw	4	M8x20
7	0000025001	910400500006	Washer	4	8
8	0000025011	910400100006	Washer	1	8
9		534719020001	Fixing plate	1	
10	0000023034	910200200075	Screw	2	M10x20
11	9000015645	950400300005	G straight pipe joint	1	
12	0000023604	910200200045	Screw	3	M6x6
13	9000014895	951000100001	YGE pipe clamp	3	12
14	9000015648	535024010005	Special pipe assembly	1	
15	9000007846	950400700002	Tee coupling	2	
16	9000015672	535024010001	Connecting steel pipe	1	
17	9000015923	535024010002	Side steel pipe	1	
18	9000007842	950400400003	Straight pipe joint	2	
19	2000337001	950600300001	Safety valve	2	
20	0000023156	910200200097	Screw	4	M12x25
21	9000015320	534744520015	Cylinder fixing pad	2	
22	9000015815	535044010006	Outer cylinder	2	3600
	9000015823	535044010007	Outer cylinder	2	3200
	9000015827	535044010008	Outer cylinder	2	2900
23	0000025024	910400500008	Washer	2	12

Fig.26 Three-stage mast outer cylinder assembly (full free lift)

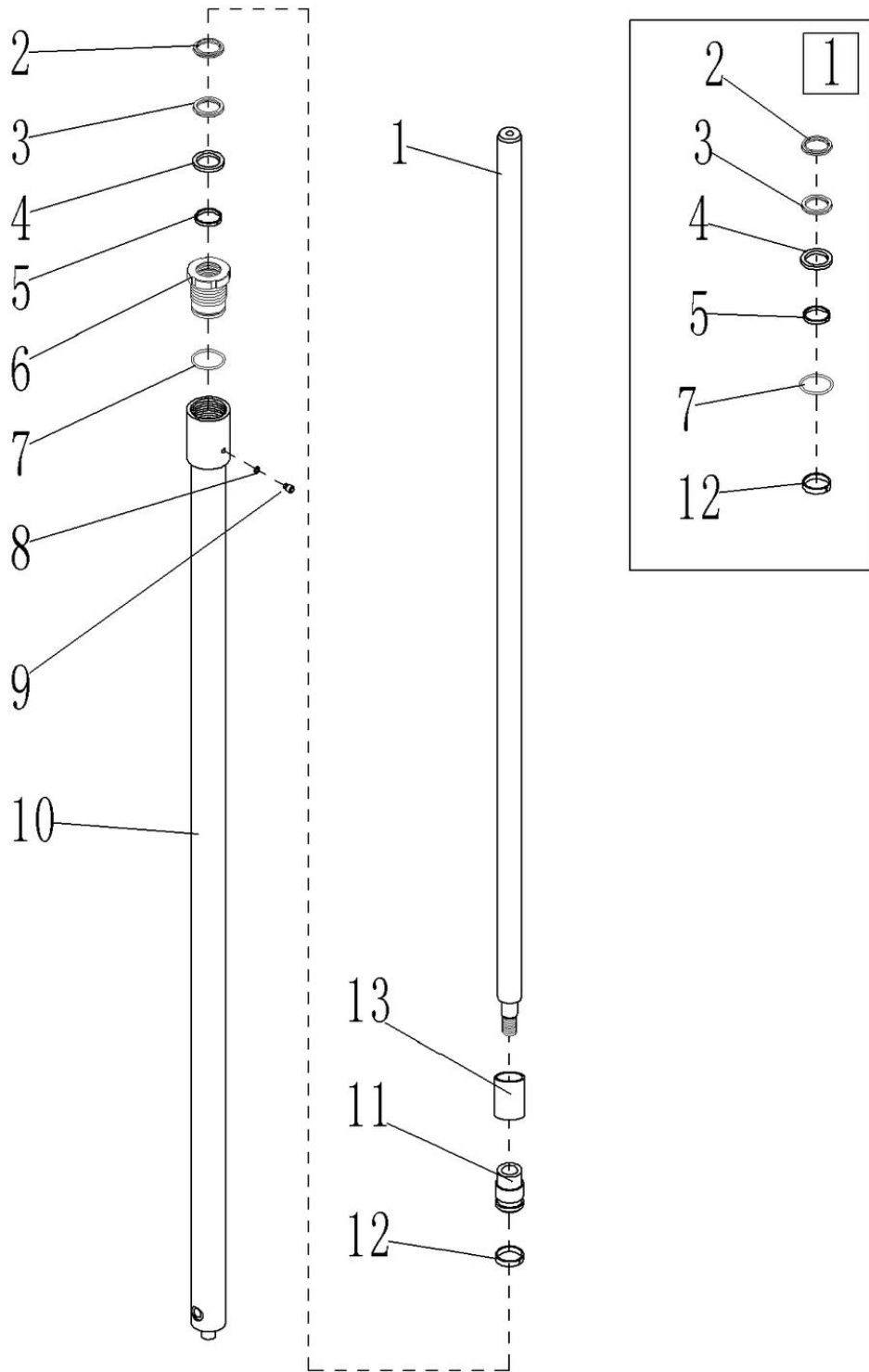


Fig.26 Three-stage Mast outer Cylinder Assembly (full free lift)

No.	Art No.	New Art No.	Description	Qty.	Note
1	9000015962	535098520011	Piston rod	1	4600
	9000015969	535098520009	Piston rod	1	4300
	9000015974	535098520008	Piston rod	1	4000
2	9000009926	910800400002	Dust ring	1	
3	9000009170	535398520002	Y ring	1	
4	9000015671	535098520017	Seal ring	1	
5	9000015668	535098520016	Supporting ring	1	
6	9000015963	535098520018	Cylinder cover	1	
7	9000015660	910800100093	O ring	1	
8	0000022026	910800900010	Combined seal washer	1	8
9	0000023415	910200200051	Screw	1	M8x10
10	9000015964	535098520019	Cylinder barrel	1	4600
	9000015970	535098520020	Cylinder barrel	1	4300
	9000015975	535098520021	Cylinder barrel	1	4000
11	9000015965	535098520022	Piston	1	
12	9000015661	533298520004	Supporting ring	1	
13	9000016327	535098520023	Adjusting sleeve	1	
①	9000016329	535098510000	Outer cylinder seal assembly	1	

Fig.27 Three-stage mast middle cylinder assembly (full free lift)

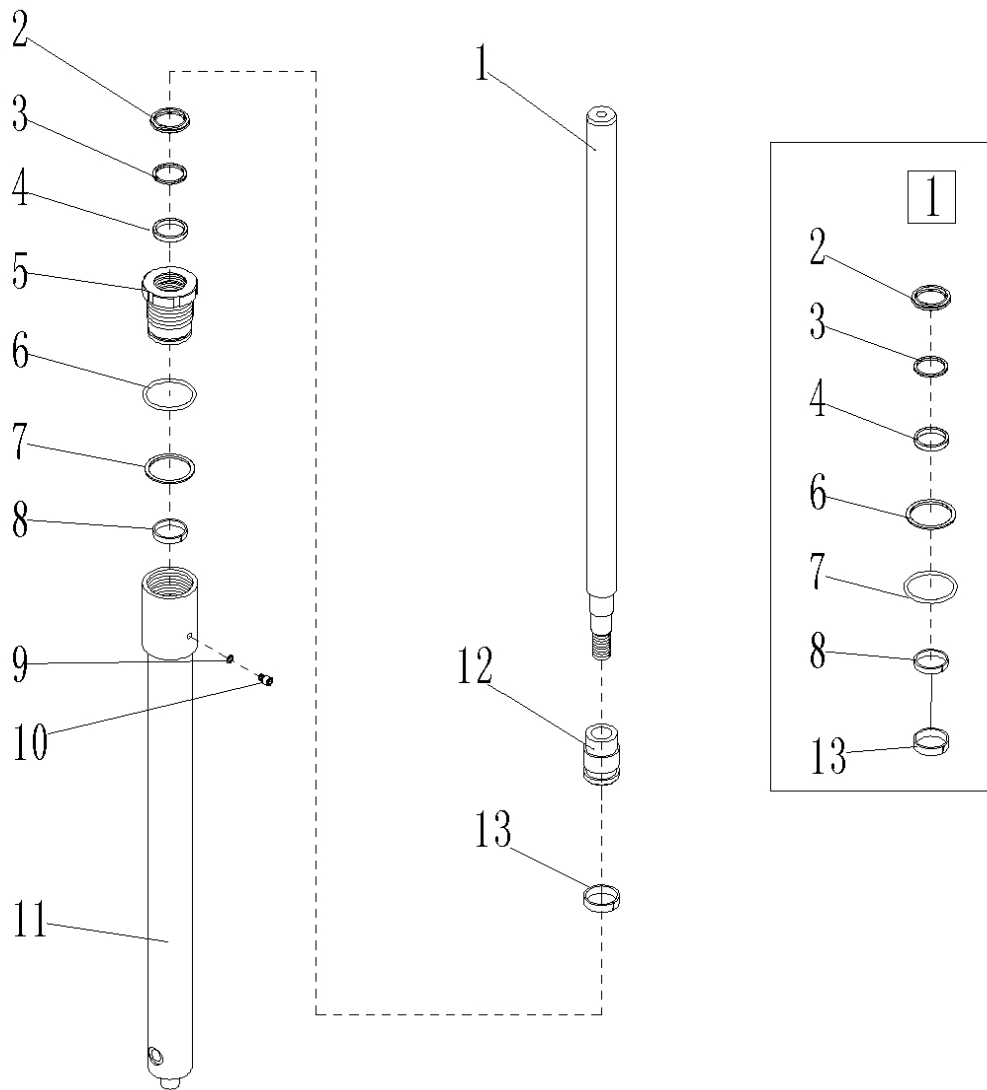


Fig.27 Three-stage Mast middle Cylinder Assembly (full free lift)

No.	Art No.	New Art No.	Description	Qty.	Note
1	9000015323	534798520014	Piston rod	1	4600
	9000015386	534798520015	Piston rod	1	4300
	9000016470	535098520006	Piston rod	1	4000
2	9000015662	534798520042	Dust ring	1	
3	9000015663	534798520063	Stop collar	1	
4	9000010181	534798520064	Seal ring	1	
5	9000015322	534798520065	End cover	1	
6	9000015664	534498520021	O ring	1	
7	9000015665	534798520066	Stop collar	1	
8	9000015666	534798520067	Supporting ring	1	
9	0000022026	910800900010	Combined sealing washer	1	8
10	0000023415	910200200051	Screw	1	M8x10
11	9000015324	534798520018	Cylinder barrel	1	4600
	9000015387	534798520019	Cylinder barrel	1	4300
	9000016471	535098520024	Cylinder barrel	1	4000
12	9000015325	534798520071	Piston	1	
13	9000015667	534798520072	Supporting ring	1	
☐	9000015674	534798510001	Middle cylinder seal assembly	1	

Fig.28 Three-stage mast outer cylinder assembly (standard lift)

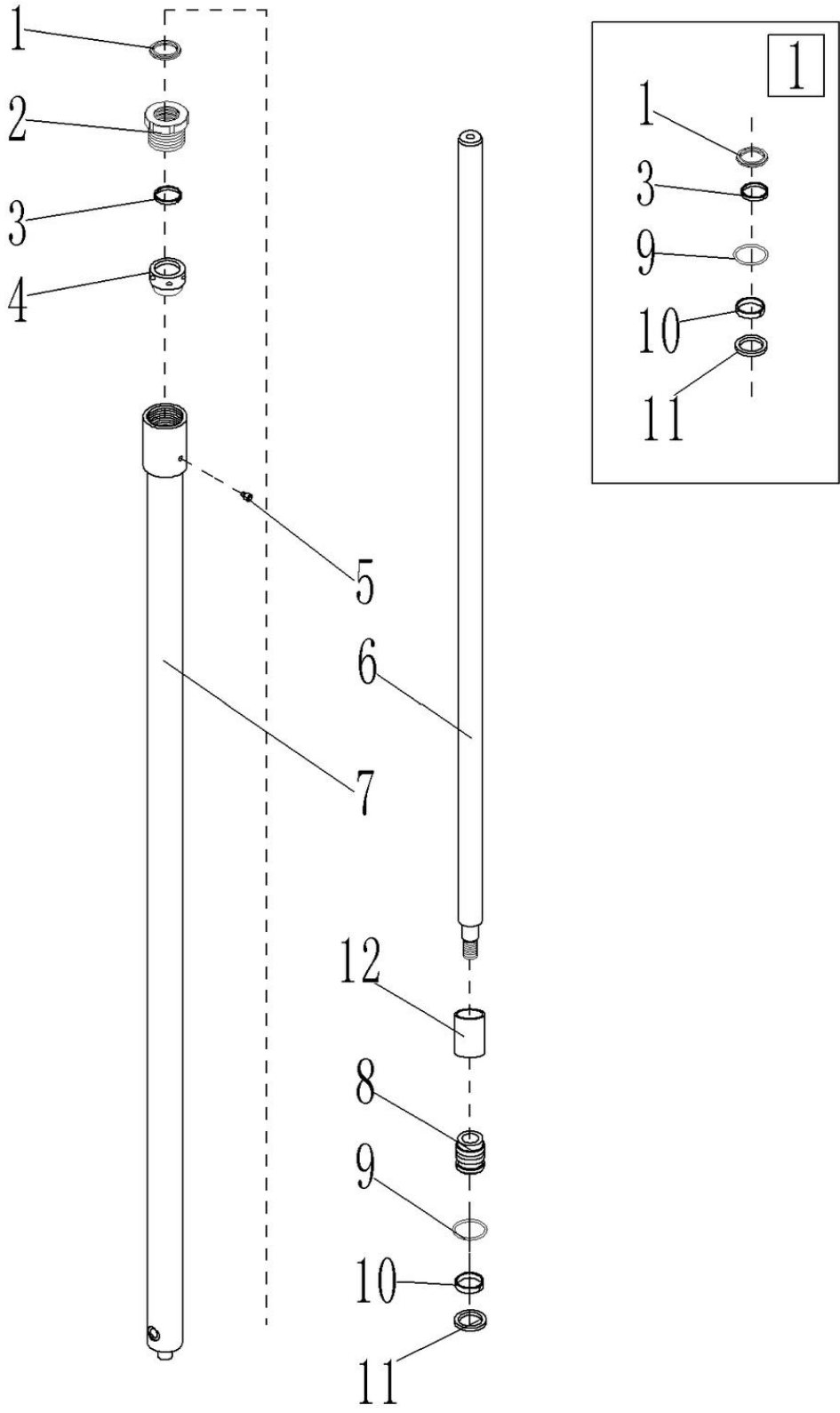


Fig.28 Three-stage Mast outer Cylinder Assembly (standard lift)

No.	Art No.	New Art No.	Description	Qty.	Note
1	9000009926	910800400002	Dust ring	1	
2	9000009183	533598520005	Blind nut	1	
3	9000015668	535098520016	Supporting ring	1	
4	9000009184	533598520006	Spacer bush	1	
5	0090000827	534798520056	Screw	1	Rc1/8
6	9000015909	535098520012	Piston rod	1	4600
	9000015932	535098520010	Piston rod	1	4300
7	9000015910	535098520025	Cylinder barrel	1	4600
	9000015933	535098520026	Cylinder barrel	1	4300
8	9000015912	535098520027	Piston	1	
9	9000016328	535098520028	O ring	1	
10	9000009182	535098520029	Supporting ring	1	
11	9000009178	532698520005	Y ring	1	
12	9000015911	535098520030	Limit sleeve	1	
①	9000016330	535098510001	Outer cylinder seal assembly	1	

Fig.29 Two-stage mast outer cylinder assembly (full free lift)

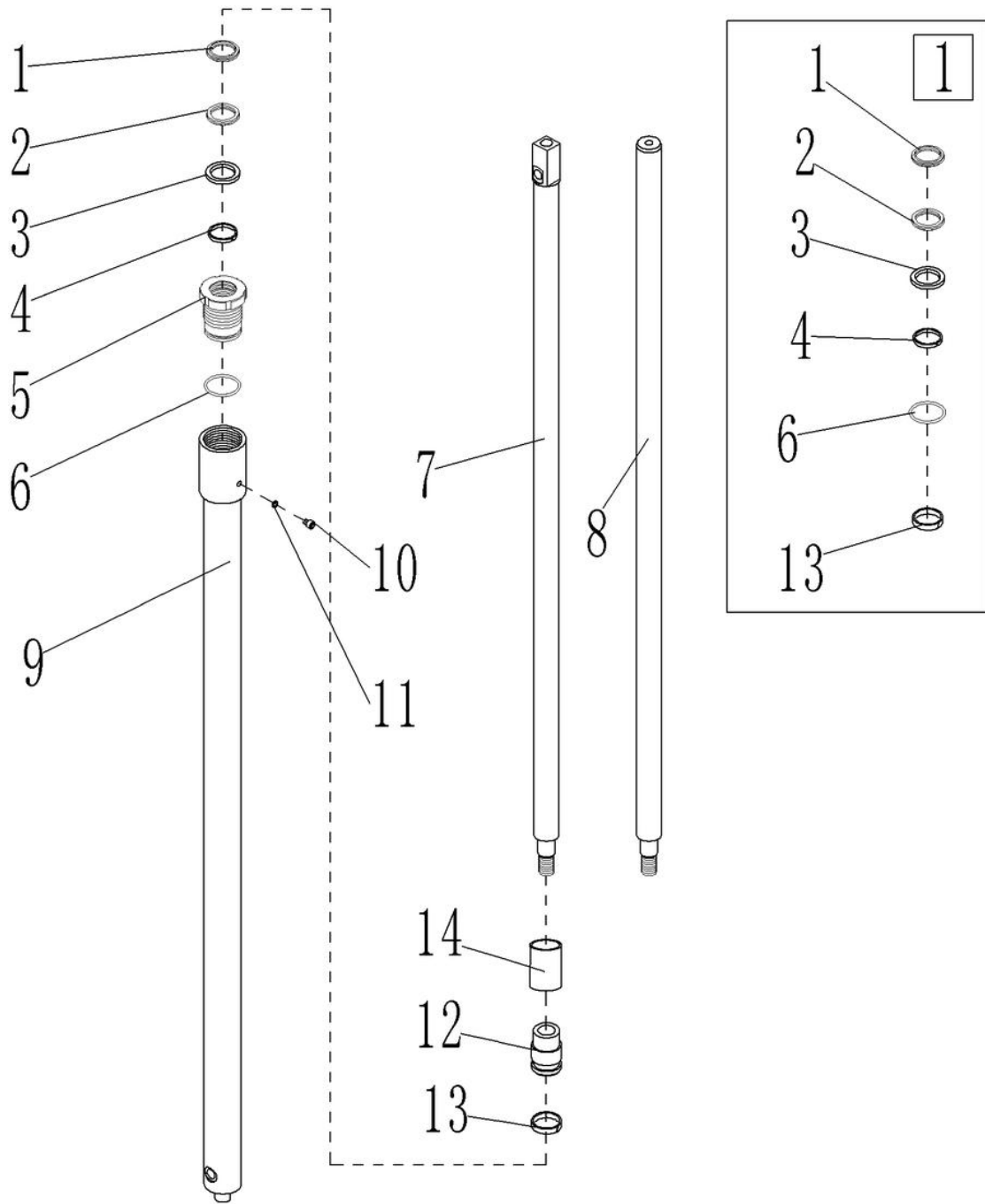


Fig.29 Two-stage Mast outer Cylinder Assembly (full free lift)

No.	Art No.	New Art No.	Description	Qty.	Note
1	9000015669	534798520027	Dust ring	1	
2	9000009708	534798520028	Seal ring	1	
3	9000009710	534798520029	Seal ring	1	
4	9000009711	534798520030	Supporting ring	1	
5	9000015238	534798520031	Cylinder cover	1	
6	9000015660	910800100093	O ring	1	
7	9000015839	535098520007	Piston rod	1	3600 left cylinder
	9000015845	535098520005	Piston rod	1	3200 left cylinder
	9000015850	535098520004	Piston rod	1	2900 left cylinder
	9000015855	535098520002	Piston rod	1	2700 left cylinder
8	9000015843	535098520031	Piston rod	1	3600 right cylinder
	9000015848	535098520003	Piston rod	1	3200 right cylinder
	9000015853	535098520001	Piston rod	1	2900 right cylinder
	9000015859	535098520000	Piston rod	1	2700 right cylinder
9	9000015844	535098520032	Cylinder barrel	1	3600
	9000015846	535098520033	Cylinder barrel	1	3200
	9000015851	535098520034	Cylinder barrel	1	2900
	9000015856	535098520035	Cylinder barrel	1	2700
10	0000022026	910800900010	Combined sealing washer	1	8
11	0000023415	910200200051	Screw	1	M8x10
12	9000015225	534798520041	Piston	1	
13	9000015661	533298520004	Supporting ring	1	
14	9000015841	535098520036	Adjusting sleeve	1	
①	9000016331	535098510002	Outer cylinder seal assembly	1	

Fig.30 Two-stage mast middle cylinder assembly (full free lift)

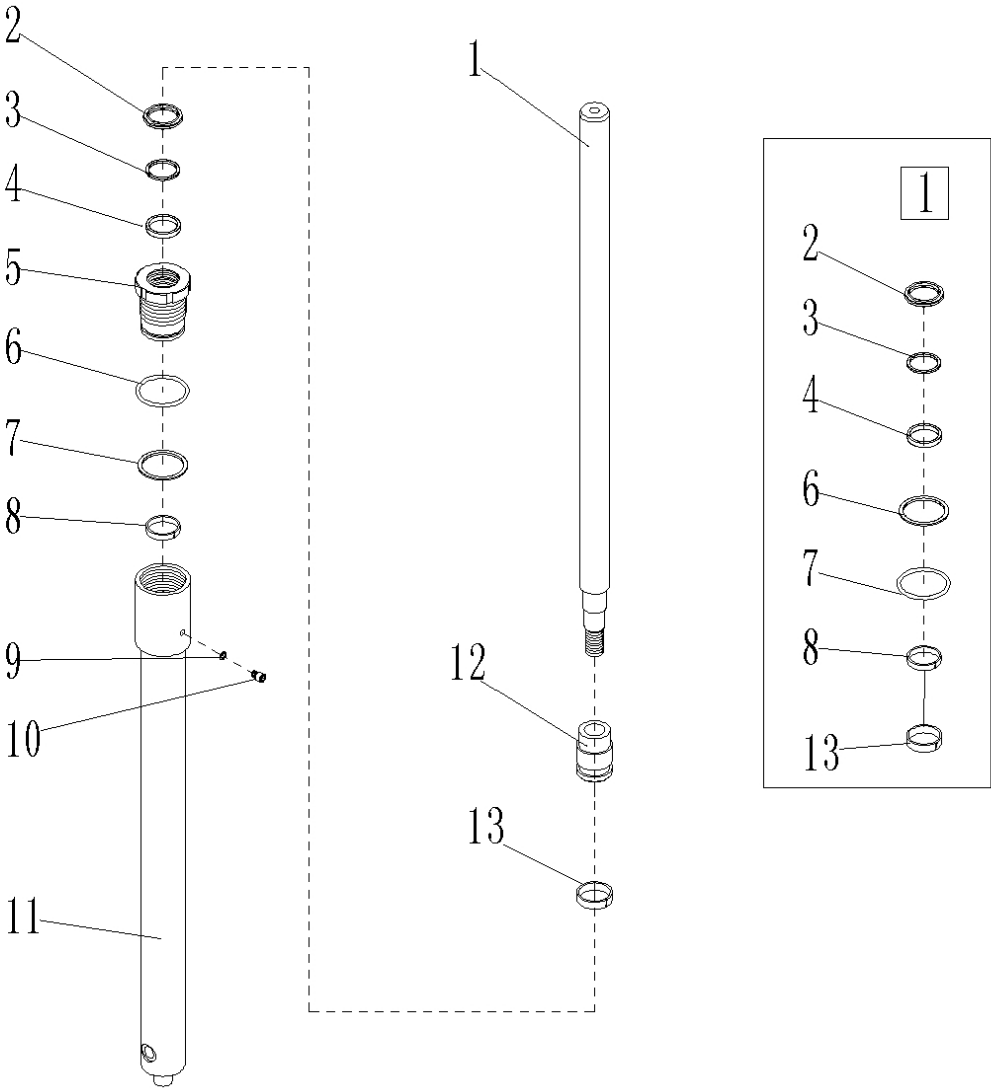


Fig.30 Two-stage Mast middle Cylinder Assembly (full free lift)

No.	Art No.	New Art No.	Description	Qty.	Note
1	9000015223	534798520059	Piston rod	1	3600
	9000015226	534798520060	Piston rod	1	3200
	9000015260	534798520061	Piston rod	1	2900
	9000016470	535098520006	Piston rod	1	2700
2	9000015662	534798520042	Dust ring	1	
3	9000015663	534798520063	Stop collar	1	
4	9000010181	534798520064	Seal ring	1	
5	9000015322	534798520065	End cap	1	
6	9000015664	534498520021	O ring	1	
7	9000015665	534798520066	Stop collar	1	
8	9000015666	534798520067	Supporting ring	1	
9	0000022026	910800900010	Combined sealing washer	1	8
10	0000023415	910200200051	Screw	1	M8x10
11	9000015236	534798520068	Cylinder barrel	1	3600
	9000015251	534798520069	Cylinder barrel	1	3200
	9000015261	534798520070	Cylinder barrel	1	2900
	9000016471	535098520024	Cylinder barrel	1	2700
12	9000015325	534798520071	Piston	1	
13	9000015667	534798520072	Supporting ring	1	
☐	9000015677	534798510003	Middle cylinder seal assembly	1	

Fig.31 Two-stage mast outer cylinder assembly (standard lift)

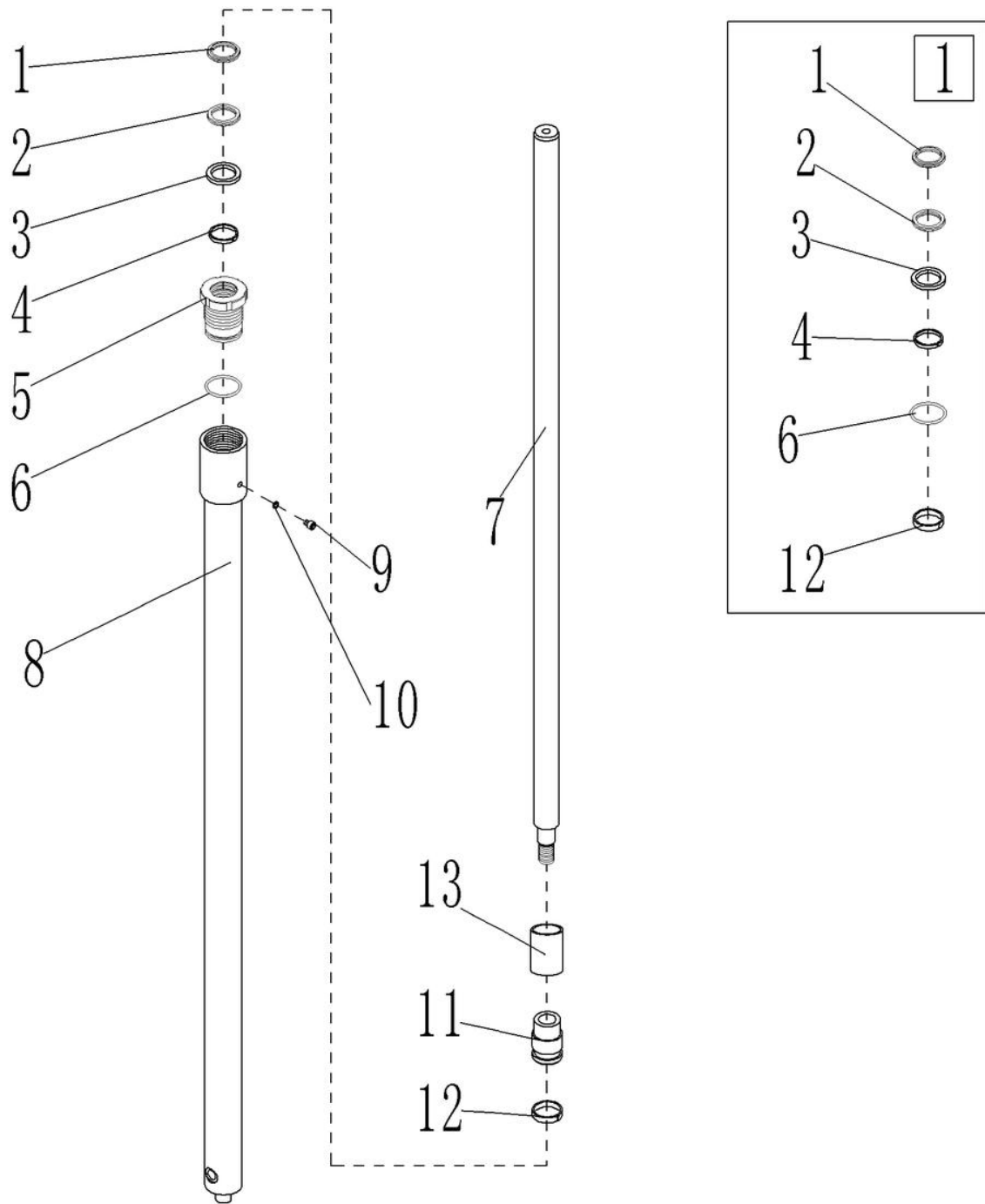


Fig.31 Two-stage Mast outer Cylinder Assembly (standard lift)

No.	Art No.	New Art No.	Description	Qty.	Note
1	9000009926	910800400002	Dust ring	1	
2	9000009170	535398520002	Y ring	1	
3	9000015671	535098520017	Seal ring	1	
4	9000009927	535398520003	Supporting ring	1	
5	9000015181	534798520046	Cylinder cover	1	
6	9000015660	910800100093	O ring	1	
7	9000015795	535098520015	Piston rod	1	3600
	9000015799	535098520014	Piston rod	1	3200
	9000015806	535098520013	Piston rod	1	2900
8	9000015796	535098520037	Cylinder barrel	1	3600
	9000015800	535098520038	Cylinder barrel	1	3200
	9000015807	535098520039	Cylinder barrel	1	2900
9	0000023415	910200200051	Screw	1	M8x10
10	0000022026	910800900010	Combined sealing washer	1	8
11	9000015225	534798520041	Piston	1	
12	9000015661	533298520004	Supporting ring	1	
13	9000015797	535098520040	Adjusting sleeve	1	
①	9000016332	535098510003	Outer cylinder seal assembly	1	

Fig.32 Drive system assembly

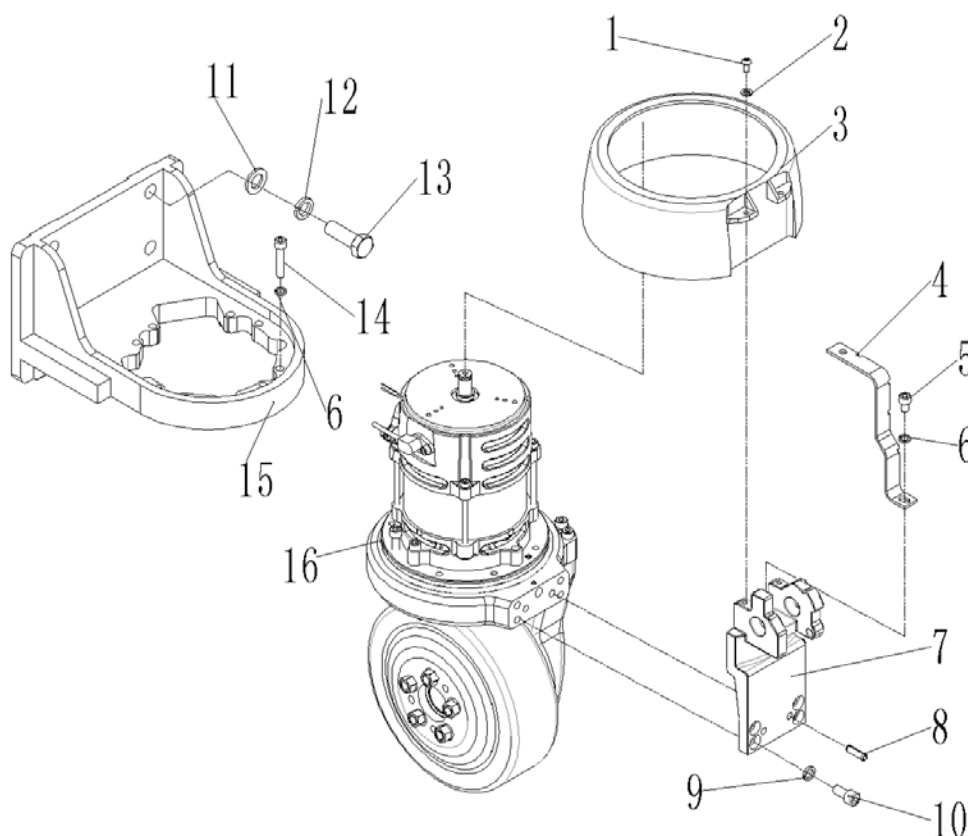


Fig.32 Drive System Assembly

No.	Art No.	New Art No.	Description	Qty.	Note
1	0000023045	910200300017	Screw	2	M6x12
2	0000023055	910400100005	Washer	2	6
3	9000015376	534713520003	Driving wheel cover	1	
4	9000015378	534713520002	Cable holder	1	
5	0000023089	910200200053	Screw	1	M8x12
6	0000025001	910400500006	Washer	5	8
7	9000011355	534713520001	Handle seat	1	
8	0000028116	910600400044	Elastic dowel pin	2	8x26
9	0000023006	910400500007	Washer	4	10
10	0000023034	910200200075	Screw	4	M10x20
11	0000025029	910400100010	Washer	4	16
12	0000025055	910400500010	Washer	4	16
13	0000023583	910100300071	Bolt	4	M16x45
14	0000023077	910200200061	Screw	4	M8x40
15	9000015377	534713520000	Driving wheel seat	1	
16	9000010250	940900400003	Drive assembly	1	AC-1.7KW

Fig.33 1.7kw Drive wheel

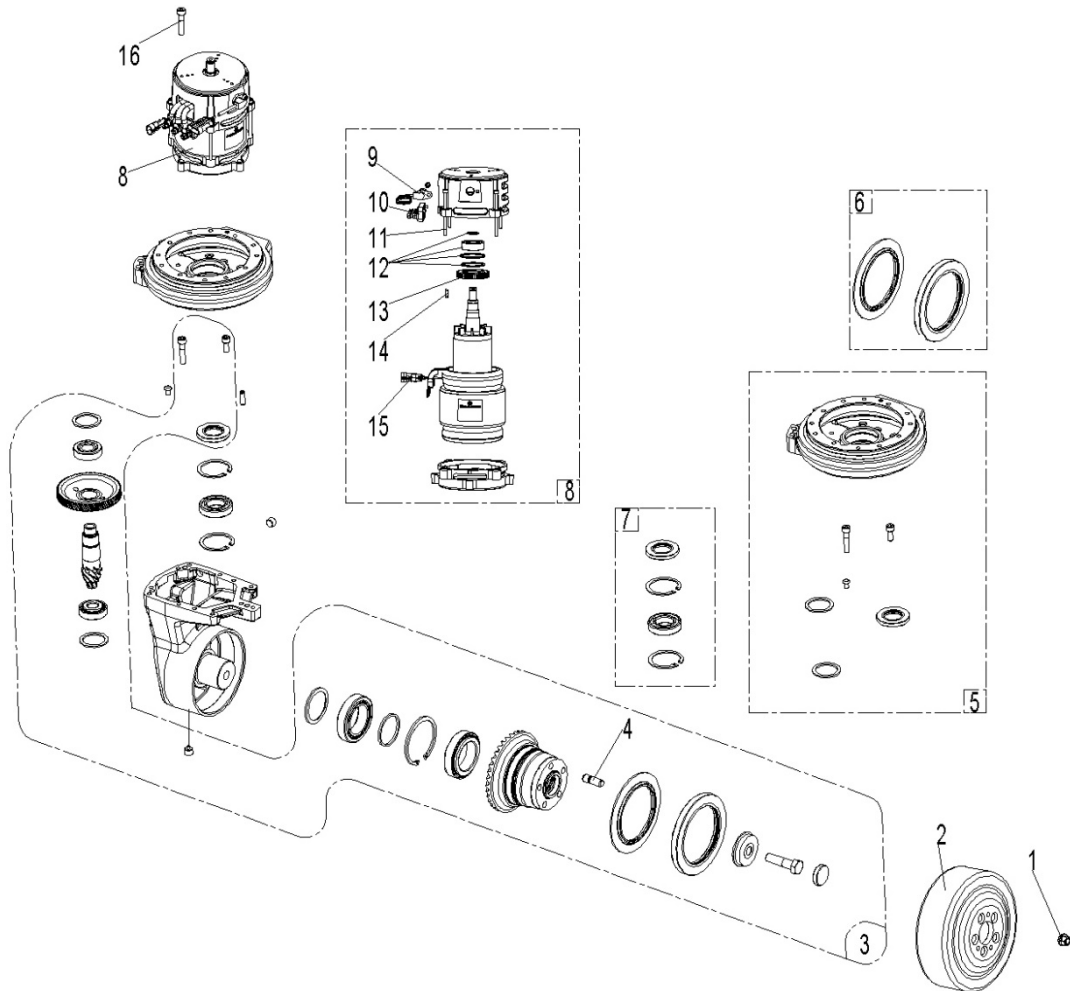


Fig.33 1.7kw Drive Wheel

No.	Art No.	New Art No.	Item	Qty.	Standard
1	9000017519	504498520003	Collar nut	5	M12
2	1020237009	940300400005	Wheel	1	Ø230x70
3	9000011794	504498510001	Repair kit bevel gear set	1	
4	9000017530	504498520005	wheel stud	5	
5	9000011795	504498510002	Repair kit steering bearing	1	
6	9000011793	504498510003	Repair kit seal ring	1	
7	9000011792	504498510004	Repair kit helical ball bearing	1	
8	9000017539	535098510004	Asynchronous motor	1	1.7kw
9	9000017540	535098520041	Kb-sensor	1	
10	9000017541	535098520042	Group terminal board 3polig	1	
11	9000017542	535098520043	Screw	1	
12	9000017543	535098510005	Sparepart. kit small parts	1	
13	9000017544	535098520044	Gear wheel sensor	1	
14	9000017533	504498520011	Fitting spring	1	
15	9000017545	535098520045	Temp. sensor	1	
16	9000017538	504498520016	Screw	4	M8x22

Fig.34 Load wheel assembly

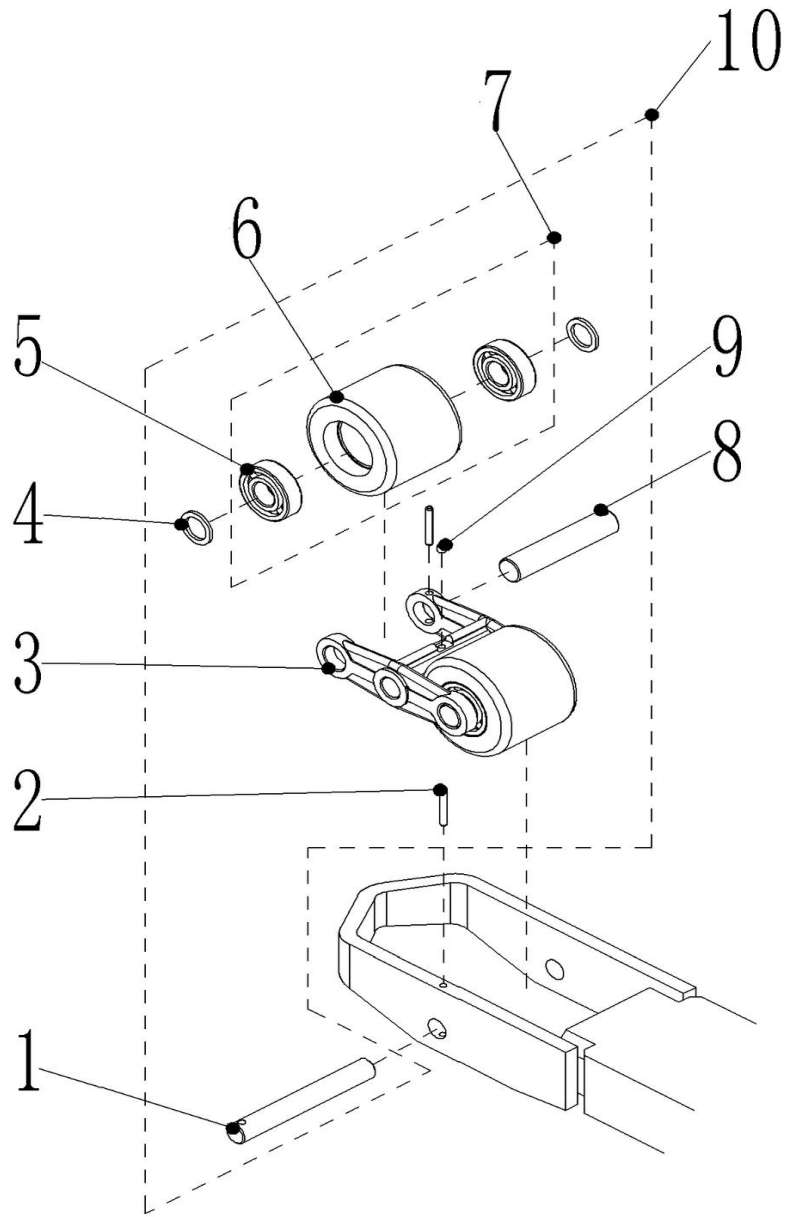


Fig.34 Load Wheel Assembly

No.	Art No.	New Art No.	Description	Qty.	Note
1	9000012092	504117020003	Connecting shaft	2	
2	0000028009	910600400027	Elastic dowel pin	6	5x35
3	9000012093	504117020004	Double wheel carrier	2	
4	9000010718	940600500004	Adjusting washer	8	thickness 2.5
5	0000027001	910700200019	Bearing	8	6204
6	1000507011	940300300009	Load wheel	4	Ø84X70
7	9000010727	532998510001	Wheels fittings	4	
8	9000012094	504117020005	Small wheel shaft	4	
9	0000030001	911200100001	Grease cup	1	6
10	9000010728	532917001000	Load wheel assembly	2	

Fig.35 Handle assembly

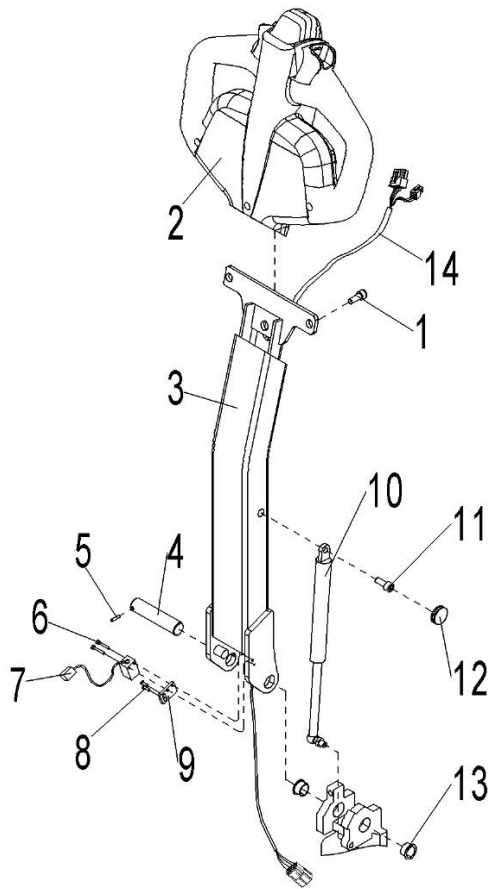


Fig.35 Handle Assembly

No.	Art No.	New Art No.	Description	Qty.	Note
1	0000023047	910200200058	Screw	2	M8x25
2	1100100001	922100100001	Handle components	1	REMA
3	9000010693	504411010001	Handle bar	1	
4	9000010694	504411020011	Spindle	1	
5	0000028162	910600400009	Elastic dowel pin	1	4x14
6	0000023075	910200200005	Screw	2	M3x20
7	9000008329	505633510002	Proximity switch	1	800mm
8	0000023056	910200200014	Screw	2	M4x12
9	9000010695	504411020009	Switch baseplate	1	
10	9000011289	940400100011	Air spring	1	1000N
11	0000023044	910200200057	Screw	1	M8x20
12	9000010696	502311020009	Envelope	1	
13	0000013002	940500200005	bushing	2	
14	9000010650	534733010001	Handle control harness	1	COMBIACX

Fig.36 Handle components

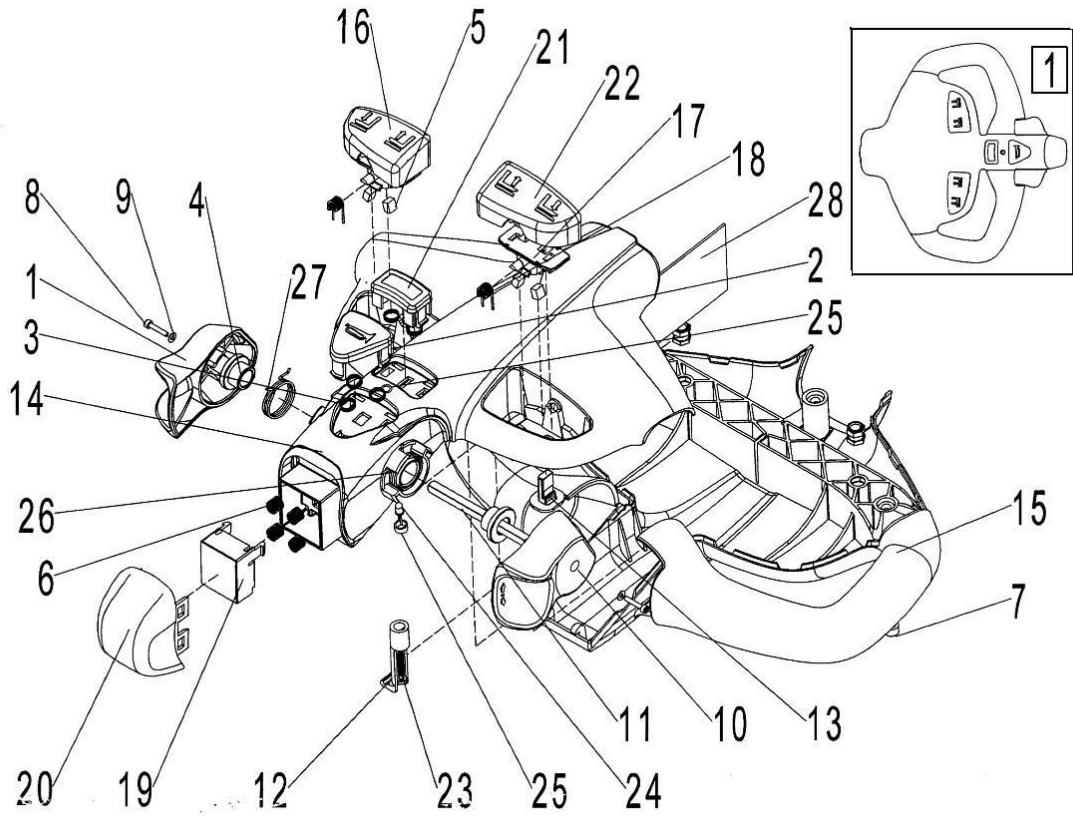


Fig. 36 Handle Components

No.	Art No.	New Art No.	Description	Qty.	Note
1	1010114001	505698520001	Left driving knob	1	
2	1000114015	505698520002	Horn	1	
3	1000131009	505698520003	Spring	5	
4	1000113004	505698520004	Sleeve	2	
5	1000137001	505698520005	Magnet	4	
6	1000131010	505698520006	Spring of emergent reverse button	4	
7	0000023058	505698520007	Screw	3	M6x10
8	0000023057	505698520008	Screw	2	M3x16
9	0000025017	505698520009	Flat pad	2	3
10	1010114003	505698520010	Right driving knob	1	
11	1000107002	505698520011	Driving knob Axle	1	
12	1000137002	505698520012	PCB clip	1	
13	1000134005	505698520013	Sensor	2	
14	1000103012	505698520014	Tiller	1	
15	1000103013	505698520015	Tiller	1	
16	1000114017	505698520016	Left button	1	
17	1000137003	505698520017	Magnet fixing base	2	
18	1000131011	505698520018	Torsional spring	2	
19	1000114018	505698520019	Emergent reverse button base	1	
20	1000114020	505698520020	Cover	1	
21	1000114021	505698520021	Cover	1	
22	1000114022	505698520022	Right button	1	
23	0000023060	505698520023	Screw	1	ST4.2x25
24	1000134006	505698520024	LED bi-color light	1	
25	1000103014	505698520025	LED bi-color light base	1	
26	1000131012	505698520026	Right driving knob torsional spring	1	
27	1000131013	505698520027	Left driving knob torsional spring	1	
28	1100135001	505698520028	PCB	1	

Fig.37 Hydraulic power unit (24V3.2KW4.0cc)

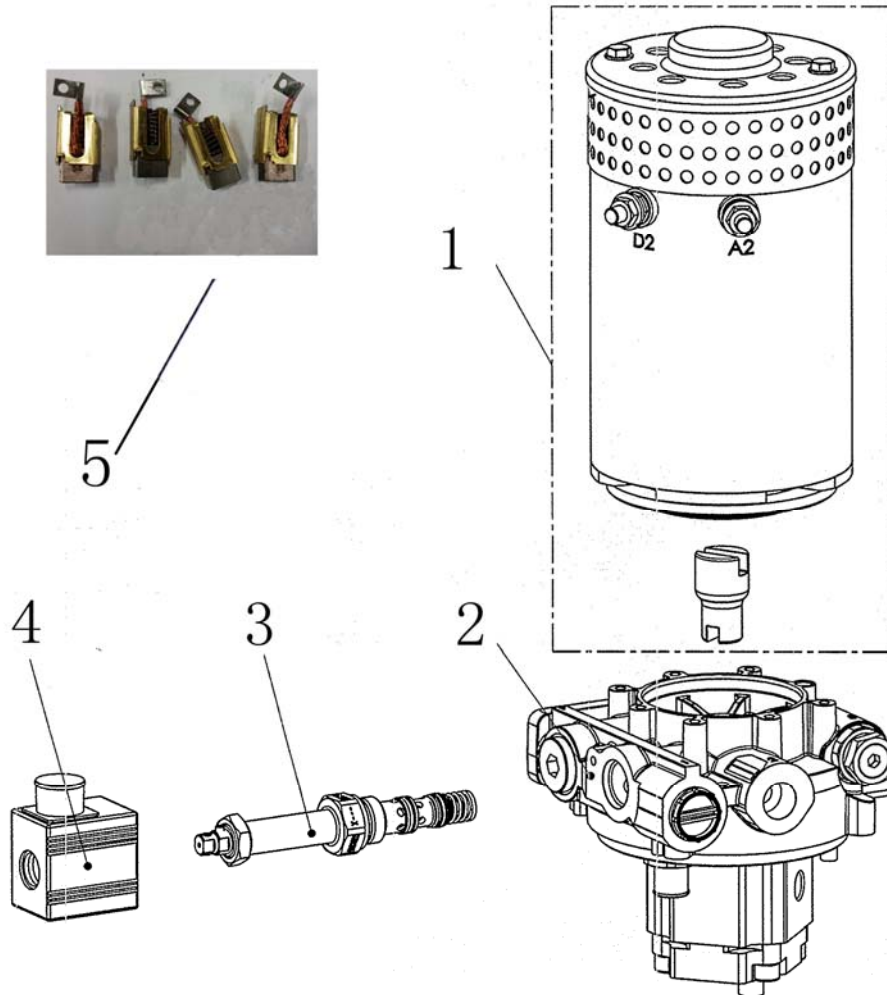


Fig.37 Hydraulic Power Unit (24V3.2KW4.0cc)

No.	Art No.	New Art No.	Description	Qty.	Note
1	9000015637	534798510006	Motor	1	3.2KW
2	9000015638	534798510007	Centre valve	1	
3	9000015639	534798520024	Solenoid valve core	1	
4	9000015640	534798520025	Coil	1	
5	9000017603	534798520026	Carbon brush	1	

Fig.38 Main circuit harness

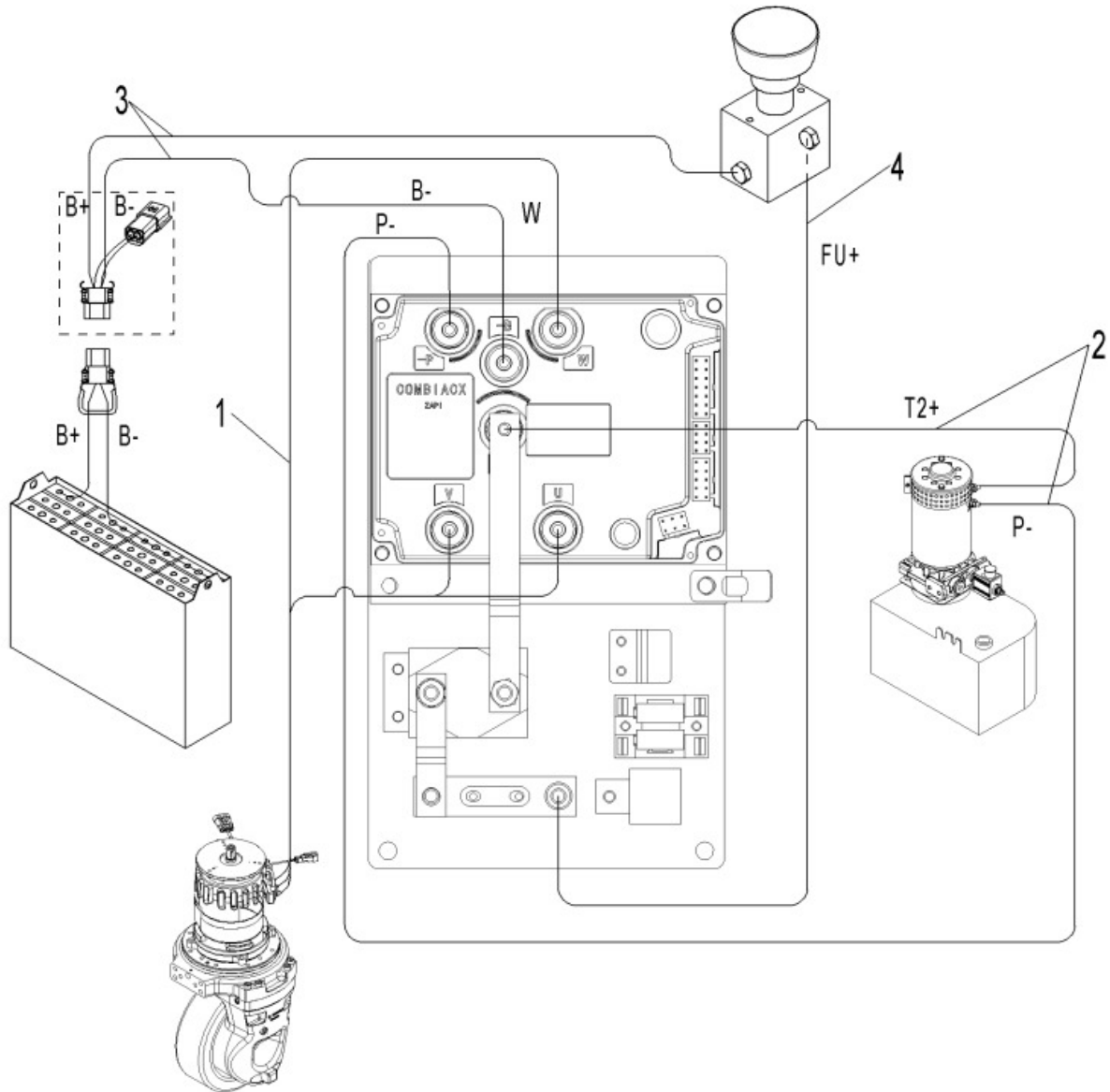


Fig.38 Main circuit harness

No.	Art No.	New Art No.	Description	Qty.	Note
1	9000010652	534733010003	Drive motor harness	1	
2	9000010653	534733010006	Pump motor harness	1	
3	9000016350	535033010001	Power harness	1	
4	9000016351	535033010002	Harness	1	FU+

Fig.39 Electrical general part

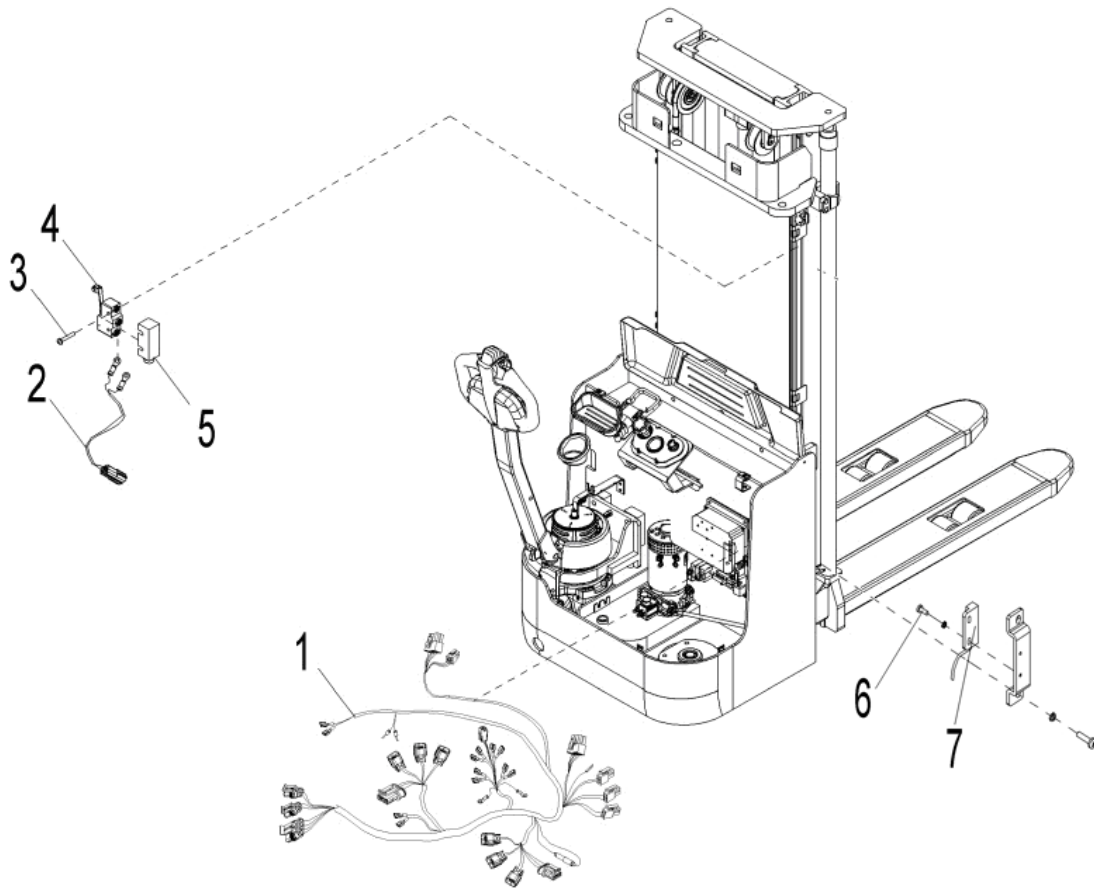


Fig.39 Electrical general Part

No.	Art No.	New Art No.	Description	Qty.	Note
1	9000016349	535033010000	Main control harness	1	COMBIACX
2		534733010014	Limit control harness(1900mm)	1	4600/3200
		534733010013	Limit control harness(1800mm)	1	4300/2900
		534733010012	Limit control harness(1700mm)	1	4000
		534733010017	Limit control harness(2100mm)	1	3600
		534733010011	Limit control harness(1650mm)	1	2700
3	0000023033	910200200017	Screw	2	M4x25
4	2040634001	920200300001	Micro switch	1	XZ-15GW22-B
5	2040603002	920200300008	Micro switch protective cover	1	
6	0000023216	910200500010	Screw	3	M3x8
7		532633510000	Magnet switch(1500mm)	1	HWK23

Fig.40 Controller assembly

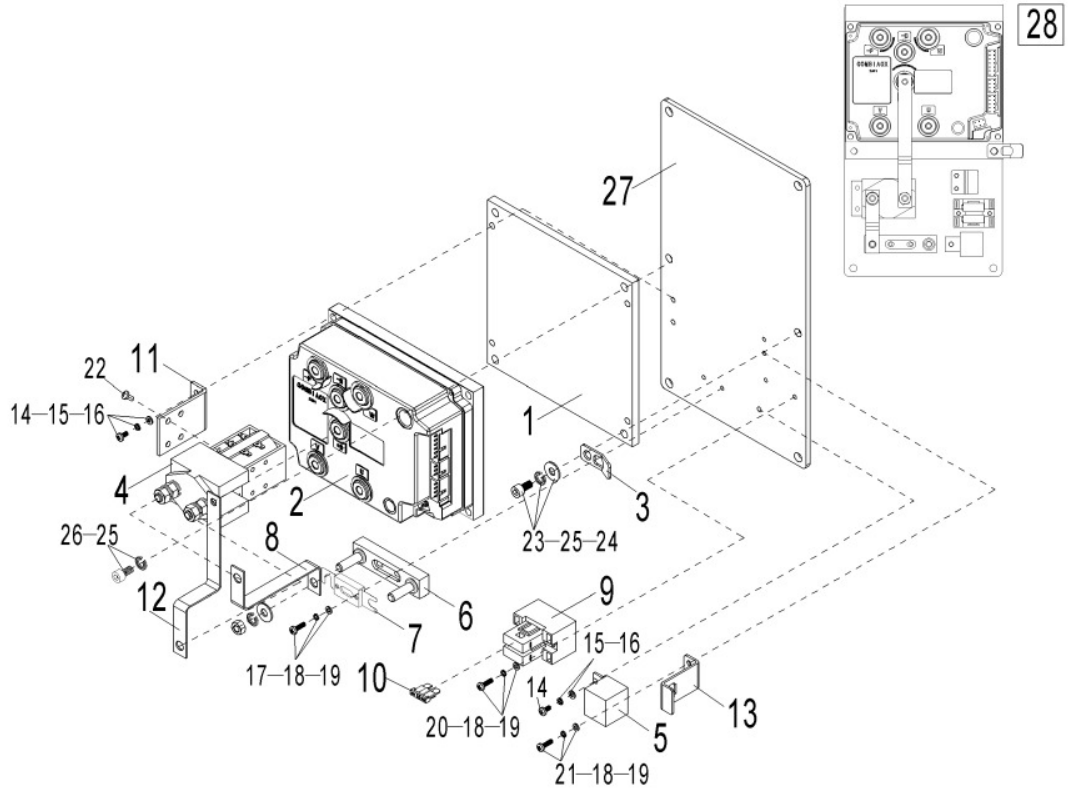


Fig.40 Controller Assembly

No.	Art No.	New Art No.	Description	Qty.	Note
1	9000010659	534733020000	Aluminium plate	1	
2	9000016047	921400100048	Controller	1	
3	9000009791	921300200012	Line hanging board	3	
4	2390434003	920700100002	Contactora	1	
5	1000434041	920800100001	Relay	1	
6	1000434007	920100400002	Fuse seat	1	SY
7	9000008635	920100100013	Fuse	1	350A
8	9000010657	534733020002	Copper bar	1	
9	9000008586	920100400005	Fuse base	1	2x10A
10	1000434040	920100200002	Plug fuse	2	10A
11	9000000002	921300400004	Contactora holder	1	
12	9000010656	534733020001	Copper bar	1	
13	9000007679	921300300001	Programmer plug-in holder	1	
14	0000023516	910200500037	Screw	3	M5x10
15	0000025015	910400500004	Washer	3	5
16	0000025014	910400100004	Washer	3	5
17	0000023211	910200500024	Screw	6	M4x16
18	0000025018	910400500003	Washer	6	4
19	0000025019	910400100003	Washer	6	4
20	0000023019	910200500028	Screw	2	M4x30
21	0000023307	910200500021	Screw	6	M4x10
22	0000023534	910200500036	Screw	2	M5x8
23	0000023166	910200200057	Screw	1	M8x20
24	0000025005	910400100006	Washer	1	8
25	0000025001	910400500006	Washer	2	8
26	0000023013	910200200055	Screw	2	M8x12
27	9000015362	534721520027	Controller fixing plate	1	
28	9000010658	534733010010	Controller assembly	1	COMBIACX

Fig.41 Load backrest

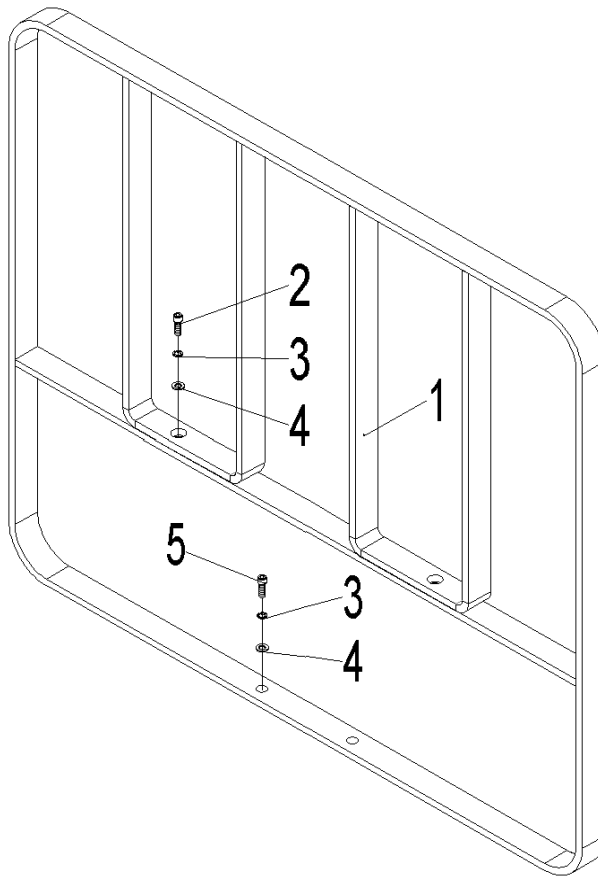


Fig.41 Load Backrest

No.	Art No.	New Art No.	Description	Qty.	Note
1	900008259	532640510001	Load backrest	1	
2	0000023088	910200200076	Screw	2	M10x25
3	0000025002	910400100007	Washer	4	10
4	0000023006	910400500007	Washer	4	10
5	0000023029	910200200078	Screw	2	M10x35

Fig.42 Load backrest (straddle)

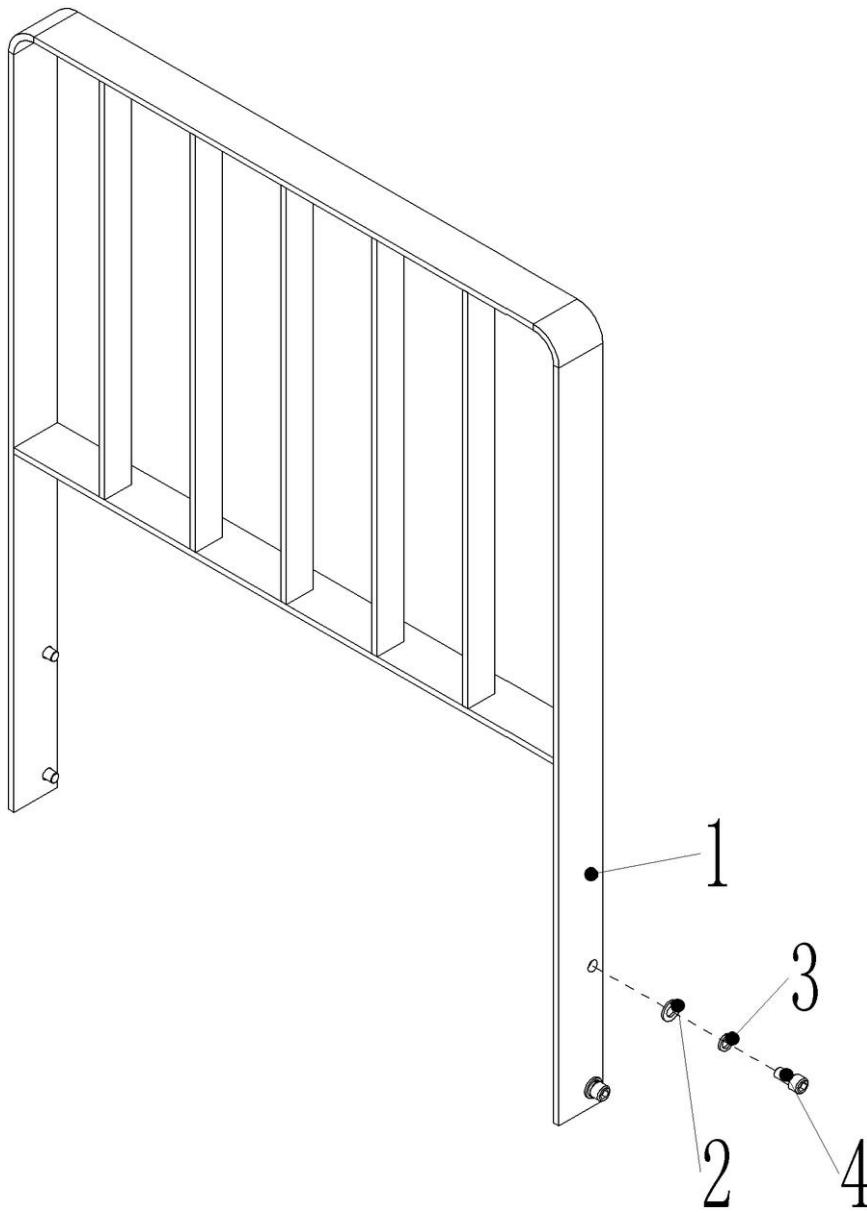


Fig.42 Load backrest (straddle)

No.	Art No.	New Art No.	Description	Qty.	Note
1	9000016305	534740510000	Load backrest	1	
2	0000025024	910400500008	Spring washer	4	12
3	0000025032	910400100008	Washer	4	12
4	0000023156	910200200097	Screw	4	M12x25

Easy worn parts list

No.	Art No.	New Art No.	Description	Qty.	Fig./Position	Note
1	0000027013	910700400004	Bearing	2	Fig.12/3	Steering wheel assembly
2	0000027001	910700200019	Bearing	2	Fig.12/11	Steering wheel assembly
				8	Fig.34/5	Load wheel assembly
3	2210416001	940300300020	Rear wheel	1	Fig.12/12	Steering wheel assembly
4	9000009926	910800400002	Dust ring	1	Fig.26/2	Three-stage Mast outer Cylinder Assembly (full free lift)
				1	Fig.28/1	Three-stage Mast outer Cylinder Assembly (standard lift)
				1	Fig.31/1	Two-stage Mast outer Cylinder Assembly (standard lift)
5	9000009170	535398520002	Y ring	1	Fig.26/3	Three-stage Mast outer Cylinder Assembly (full free lift)
				1	Fig.31/2	Two-stage Mast outer Cylinder Assembly (standard lift)
6	9000015671	535098520017	Seal ring	1	Fig.26/4	Three-stage Mast outer Cylinder Assembly (full free lift)
				1	Fig.31/3	Two-stage Mast outer Cylinder Assembly (standard lift)
7	9000015668	535098520016	Supporting ring	1	Fig.26/5	Three-stage Mast outer Cylinder Assembly (full free lift)
				1	Fig.28/3	Three-stage Mast outer Cylinder Assembly (standard lift)
8	9000015660	910800100093	O ring	1	Fig.26/7	Three-stage Mast outer Cylinder Assembly (full free lift)
				1	Fig.29/6	Two-stage Mast outer Cylinder Assembly (full free lift)
				1	Fig.31/6	Two-stage Mast outer Cylinder Assembly (standard lift)

9	9000015661	533298520004	Supporting ring	1	Fig.26/12	Three-stage Mast outer Cylinder Assembly (full free lift)
				1	Fig.29/13	Two-stage Mast outer Cylinder Assembly (full free lift)
				1	Fig.31/12	Two-stage Mast outer Cylinder Assembly (standard lift)
10	9000016329	535098510000	Outer cylinder seal assembly	1	Fig.26/11	Three-stage Mast outer Cylinder Assembly (full free lift)
11	9000015662	534798520042	Dust ring	1	Fig.27/2	Three-stage Mast middle Cylinder Assembly (full free lift)
				1	Fig.30/2	Two-stage Mast middle Cylinder Assembly (full free lift)
12	9000015663	534798520063	Stop collar	1	Fig.27/3	Three-stage Mast middle Cylinder Assembly (full free lift)
				1	Fig.30/3	Two-stage Mast middle Cylinder Assembly (full free lift)
13	9000010181	534798520064	Seal ring	1	Fig.27/4	Three-stage Mast middle Cylinder Assembly (full free lift)
				1	Fig.30/4	Two-stage Mast middle Cylinder Assembly (full free lift)
14	9000015664	534498520021	O ring	1	Fig.27/6	Three-stage Mast middle Cylinder Assembly (full free lift)
				1	Fig.30/6	Two-stage Mast middle Cylinder Assembly (full free lift)
15	9000015665	534798520066	Stop collar	1	Fig.27/7	Three-stage Mast middle Cylinder Assembly (full free lift)
				1	Fig.30/7	Two-stage Mast middle Cylinder Assembly (full free lift)
16	9000015666	534798520067	Supporting ring	1	Fig.27/8	Three-stage Mast middle Cylinder Assembly(full free lift)

				1	Fig.30/8	Two-stage Mast middle Cylinder Assembly(full free lift)
17	9000015667	534798520072	Supporting ring	1	Fig.27/13	Three-stage Mast middle Cylinder Assembly (full free lift)
				1	Fig.30/13	Two-stage Mast middle Cylinder Assembly (full free lift)
18	9000015674	534798510001	Middle cylinder seal assembly	1	Fig.27/□	Three-stage Mast middle Cylinder Assembly (full free lift)
19	9000016328	535098520028	O ring	1	Fig.28/9	Three-stage Mast outer Cylinder Assembly(standard lift)
20	9000009182	535098520029	Supporting ring	1	Fig.28/10	
21	9000009178	532698520005	Y ring	1	Fig.28/11	
22	9000016330	535098510001	Outer cylinder seal assembly	1	Fig.28/□	
23	9000015669	534798520027	Dust ring	1	Fig.29/1	Two-stage Mast outer Cylinder Assembly(full free lift)
24	9000009708	534798520028	Seal ring	1	Fig.29/2	
25	9000009710	534798520029	Seal ring	1	Fig.29/3	
26	9000009711	534798520030	Supporting ring	1	Fig.29/4	
27	9000016331	535098510002	Outer cylinder seal assembly	1	Fig.29/□	
28	9000015677	534798510003	Middle cylinder seal assembly	1	Fig.30/□	Two-stage Mast middle Cylinder Assembly(full free lift)
29	9000009927	535398520003	Supporting ring	1	Fig.31/4	Two-stage Mast outer Cylinder Assembly(standard lift)
30	9000016332	535098510003	Outer cylinder seal assembly	1	Fig.31/□	
31	1000507011	940300300009	Load wheel	4	Fig.34/6	Load Wheel Assembly
32	9000010728	532917001000	Load wheel assembly	4	Fig.34/10	
33	9000008329	505633510002	Proximity switch NBN5-F7-E2	2	Fig.35/7	Handle Assembly
34	9000011289	940400100011	Air spring	1	Fig.35/10	
35	2040634001	920200300001	Micro switch	1	Fig.39/4	Electrical general Part
36		532633510004	Magnet switch	2	Fig.39/7	
37	9000008635	920100100013	Fuse	1	Fig.40/7	Controller Assembly
38	1000434040	920100200002	Plug fuse	1	Fig.40/10	